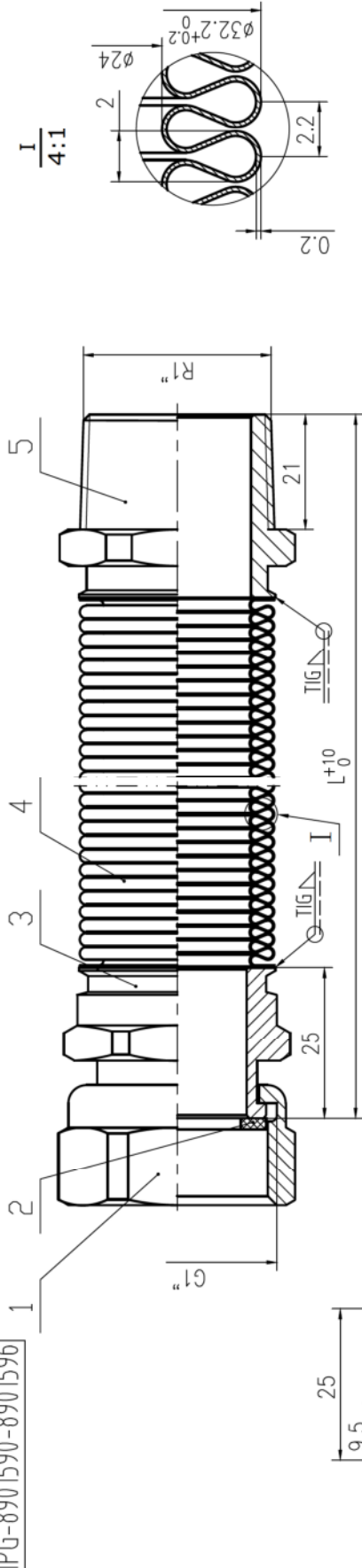
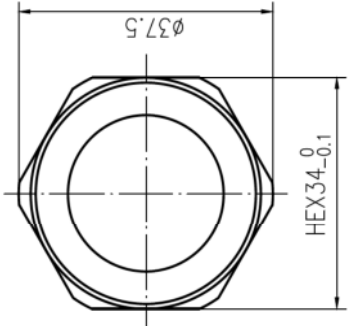
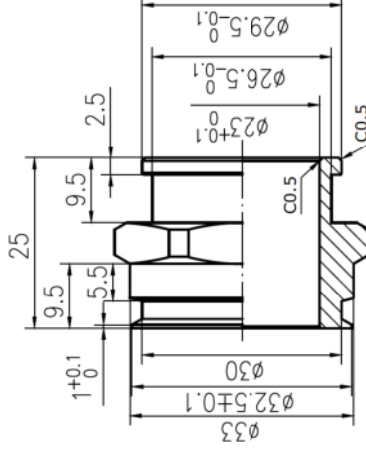


IPG-8901590-8901596



1
4:1



Technical requirement :

1. Annealing and compression
2. weld joint to be uniform
3. No scratches or other defects on the surface of the hose
4. Wave uniformity
5. Working pressure 3Bar
6. Working temperature: Max 110°C

5	TZX-201-25-1	Male	1	ASTM304		
4	TZX-001-320-1	Metal hose	1	ASTM316L		φ32x0.2
3	TZX-308-25-1	Joint	1	ASTM304		
2	TZX-401-25-1	Gaskets	1	EPDM		φ30.5xφ21x3
1	TZX-101-25-1	NUT	1	ASTM304		
No.	Code	Name	QTY.	Material	Remarks	

designed	scale
checked	weight
approved	Sheet
1"MF	
IPG-8901590-8901596	

CODE	8901590	8901591	8901592	8901593	8901594	8901595	8901596
L	75/130	110/210	200/410	260/520	500/1000	750/1500	1000/2000