

---



---

## SURFACE CIRCULAR

---



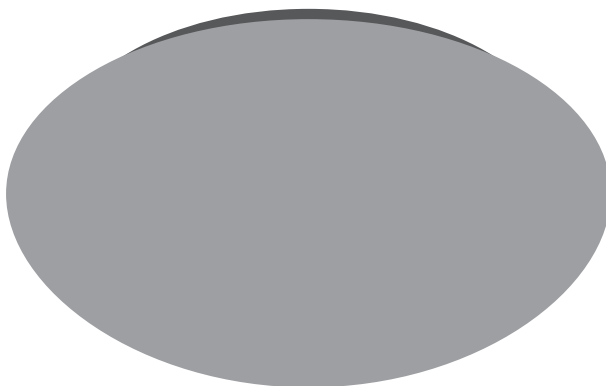
---



---

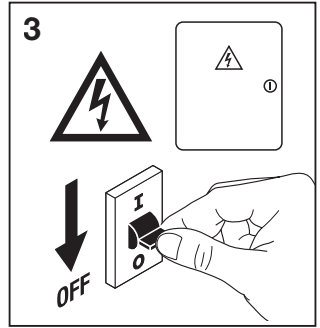
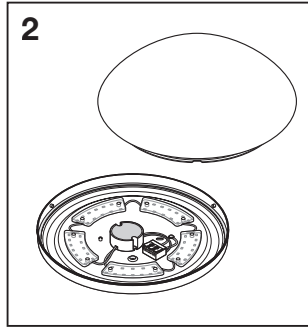
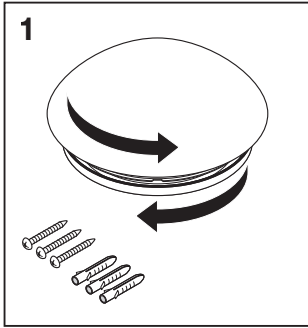
## SURFACE CIRCULAR SENSOR

---



|                             | EAN           | Ø x h [mm] | W  | lm   | lm/W | K    | IP | IK |
|-----------------------------|---------------|------------|----|------|------|------|----|----|
| SF CIRCULAR 250 13W/3000K   | 4058075110120 | 250x91     | 13 | 920  | 70   | 3000 | 44 | 03 |
| SF CIRCULAR 250 13W/4000K   | 4058075110144 | 250x91     | 13 | 960  | 75   | 4000 | 44 | 03 |
| SF CIRCULAR 250 13W/3000K S | 4058075110168 | 250x91     | 13 | 920  | 70   | 3000 | 44 | 03 |
| SF CIRCULAR 250 13W/4000K S | 4058075110182 | 250x91     | 13 | 960  | 75   | 4000 | 44 | 03 |
| SF CIRCULAR 350 18W/3000K   | 4058075080010 | 350x115    | 18 | 1440 | 80   | 3000 | 44 | 03 |
| SF CIRCULAR 350 18W/4000K   | 4058075080034 | 350x115    | 18 | 1440 | 80   | 4000 | 44 | 03 |
| SF CIRCULAR 350 18W/3000K S | 4058075110205 | 350x115    | 18 | 1440 | 80   | 3000 | 44 | 03 |
| SF CIRCULAR 350 18W/4000K S | 4058075110229 | 350x115    | 18 | 1440 | 80   | 4000 | 44 | 03 |
| SF CIRCULAR 400 24W/3000K   | 4058075080058 | 400x120    | 24 | 1920 | 80   | 3000 | 44 | 03 |
| SF CIRCULAR 400 24W/4000K   | 4058075080072 | 400x120    | 24 | 1920 | 80   | 4000 | 44 | 03 |
| SF CIRCULAR 400 24W/3000K S | 4058075080096 | 400x120    | 24 | 1920 | 80   | 3000 | 44 | 03 |
| SF CIRCULAR 400 24W/4000K S | 4058075080119 | 400x120    | 24 | 1920 | 80   | 4000 | 44 | 03 |

|                             | EAN           | °C        | V <sub>Ac</sub> | Hz      | ∠    | PF    | R <sub>a</sub> | 👤      |
|-----------------------------|---------------|-----------|-----------------|---------|------|-------|----------------|--------|
| SF CIRCULAR 250 13W/3000K   | 4058075110120 | -20...+40 | 220-240V        | 50/60Hz | 120° | > 0.5 | > 80           | 0.3 kg |
| SF CIRCULAR 250 13W/4000K   | 4058075110144 | -20...+40 | 220-240V        | 50/60Hz | 120° | > 0.5 | > 80           | 0.3 kg |
| SF CIRCULAR 250 13W/3000K S | 4058075110168 | -20...+40 | 220-240V        | 50/60Hz | 120° | > 0.5 | > 80           | 0.3 kg |
| SF CIRCULAR 250 13W/4000K S | 4058075110182 | -20...+40 | 220-240V        | 50/60Hz | 120° | > 0.5 | > 80           | 0.3 kg |
| SF CIRCULAR 350 18W/3000K   | 4058075080010 | -20...+40 | 220-240V        | 50/60Hz | 120° | > 0.5 | > 80           | 0.6 kg |
| SF CIRCULAR 350 18W/4000K   | 4058075080034 | -20...+40 | 220-240V        | 50/60Hz | 120° | > 0.5 | > 80           | 0.6 kg |
| SF CIRCULAR 350 18W/3000K S | 4058075110205 | -20...+40 | 220-240V        | 50/60Hz | 120° | > 0.5 | > 80           | 0.7 kg |
| SF CIRCULAR 350 18W/4000K S | 4058075110229 | -20...+40 | 220-240V        | 50/60Hz | 120° | > 0.5 | > 80           | 0.7 kg |
| SF CIRCULAR 400 24W/3000K   | 4058075080058 | -20...+40 | 220-240V        | 50/60Hz | 120° | > 0.5 | > 80           | 0.7 kg |
| SF CIRCULAR 400 24W/4000K   | 4058075080072 | -20...+40 | 220-240V        | 50/60Hz | 120° | > 0.5 | > 80           | 0.7 kg |
| SF CIRCULAR 400 24W/3000K S | 4058075080096 | -20...+40 | 220-240V        | 50/60Hz | 120° | > 0.5 | > 80           | 0.8 kg |
| SF CIRCULAR 400 24W/4000K S | 4058075080119 | -20...+40 | 220-240V        | 50/60Hz | 120° | > 0.5 | > 80           | 0.8 kg |



## IP44

**4**

| [mm]                 | d   |
|----------------------|-----|
| SURFACE CIRCULAR 250 | 157 |
| SURFACE CIRCULAR 350 | 223 |
| SURFACE CIRCULAR 400 | 266 |

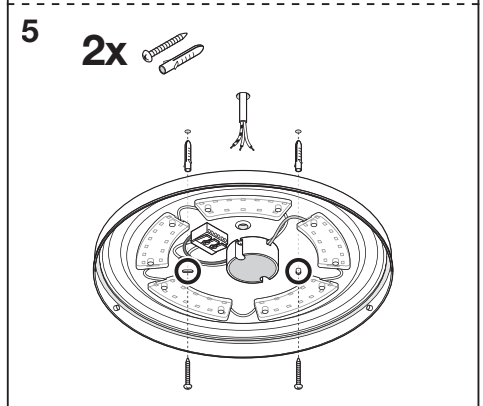
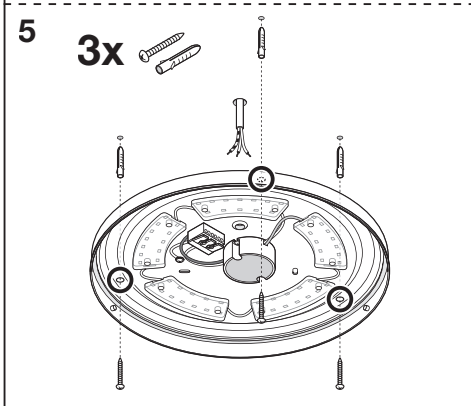
**3x**

## IP20

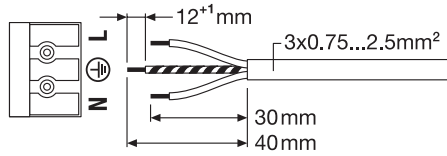
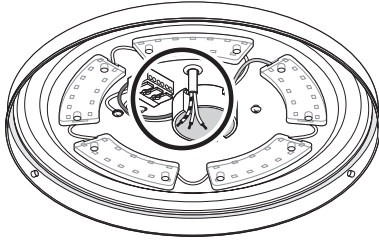
**4**

| [mm]                 | s   |
|----------------------|-----|
| SURFACE CIRCULAR 250 | 110 |
| SURFACE CIRCULAR 350 | 95  |
| SURFACE CIRCULAR 400 | 130 |

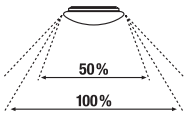
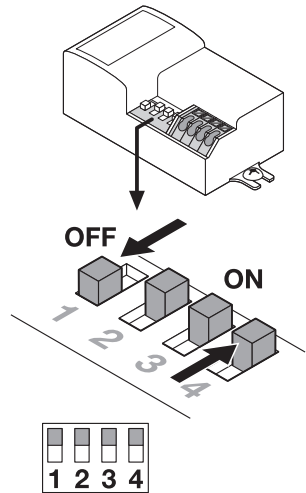
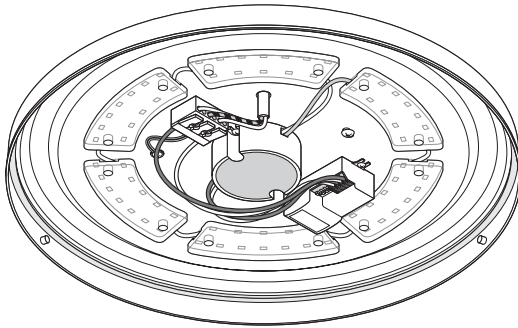
**2x**



6



7: SURFACE CIRCULAR SENSOR



Detection Area

|          |       |
|----------|-------|
| <b>1</b> |       |
| ON       | 100 % |
| -        | 50 %  |



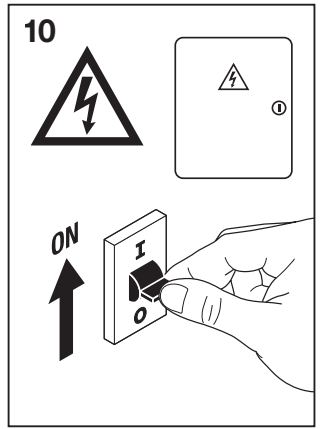
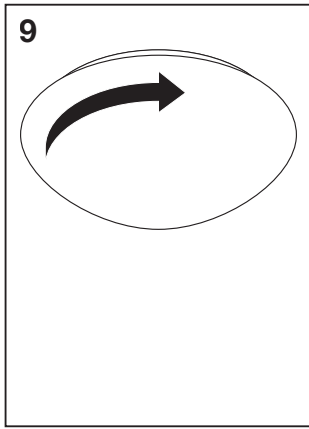
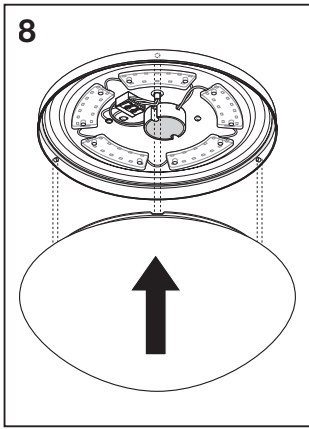
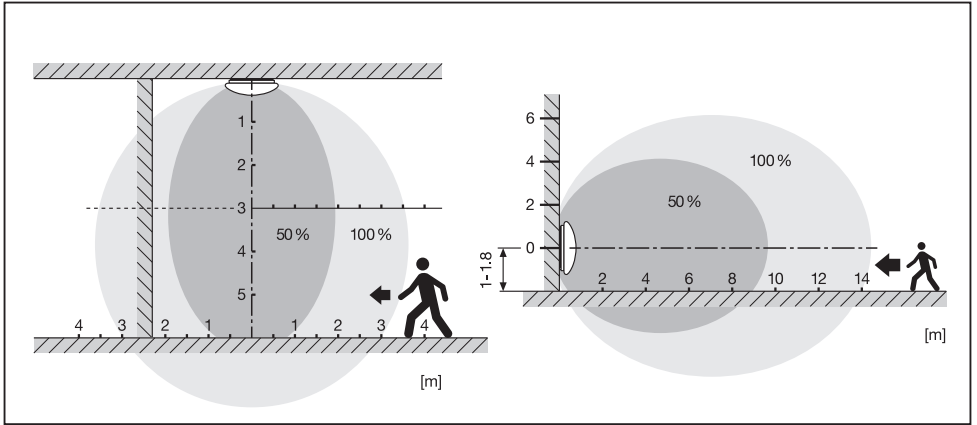
Hold Time

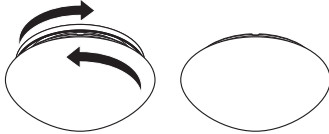
|          |          |        |
|----------|----------|--------|
| <b>2</b> | <b>3</b> |        |
| ON       | ON       | 5 s    |
| ON       | -        | 1 min  |
| -        | ON       | 3 min  |
| -        | -        | 10 min |



Daylight Sensor

|          |         |
|----------|---------|
| <b>4</b> |         |
| ON       | 25 LUX  |
| -        | Disable |



|  | EAN           | Ø x h [mm] |
|--|---------------|------------|
| SF CIRCULAR 250 COVER  | 4058075156722 | 250x80     |
| SF CIRCULAR 350 COVER  | 4058075156807 | 350 x 104  |
| SF CIRCULAR 400 COVER  | 4058075156821 | 400 x 112  |

CE   **EAC** RoHS



C10449057  
G11072823  
12.04.19



LEDVANCE GmbH  
Steinerne Furt 62  
86167 Augsburg, Germany  
[www.ledvance.com](http://www.ledvance.com)