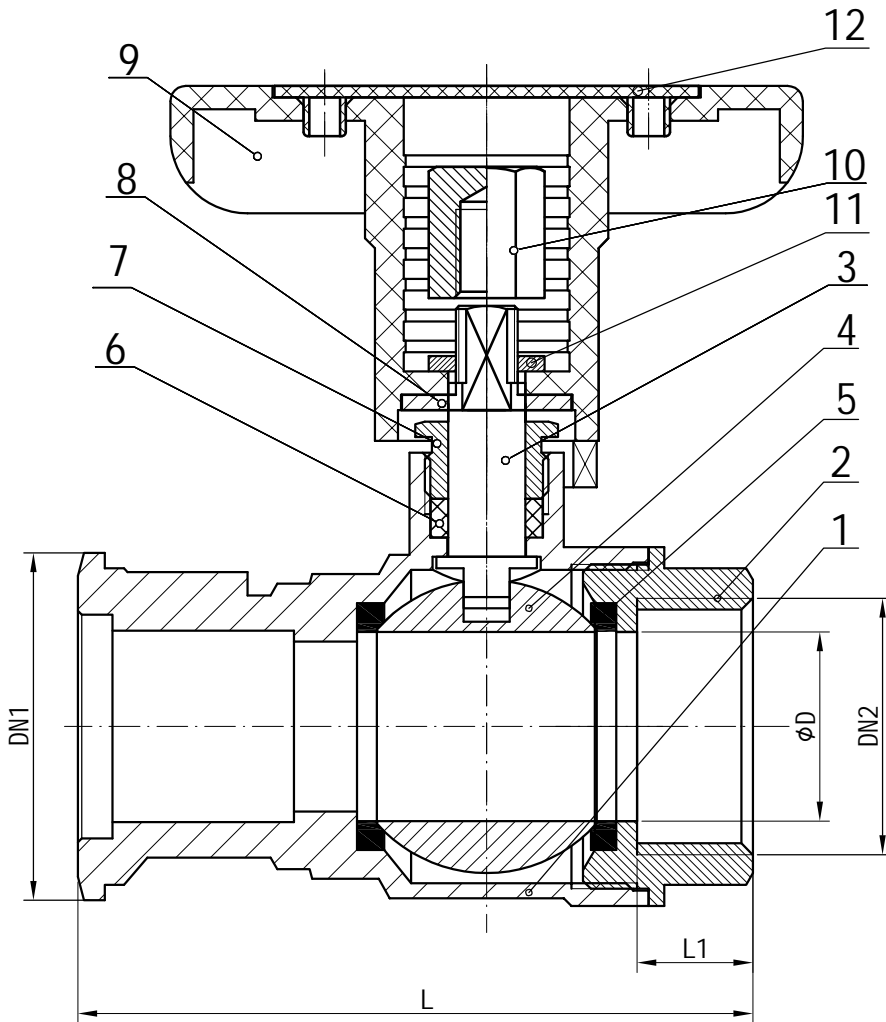


NO.	Part name	Material
1	Body	Brass
2	Bonnet	Brass
3	Stem	Brass
4	Ball	Brass
5	PTFE seat	PTFE
6	Packing gland	PTFE
7	Packing nut	Brass
8	Insert	Steel
9	Handle	Plastic
10	Union	Brass
11	Gasket	Steel
12	Flange	Plastic



Code	DN1	DN2	D	L1	L
9702473	44.8	1"	24.5	15	87.5
9702474	44.8	1¼"	24.5	16	90.5

Technical requirements:  
 1)Surface: Sand plasting brass  
 2)Working temperature:160°C  
 3)Instant high temperature:180°C  
 4)Working pressure:16 bar  
 5)Threaded ends: ISO 228



GmbH