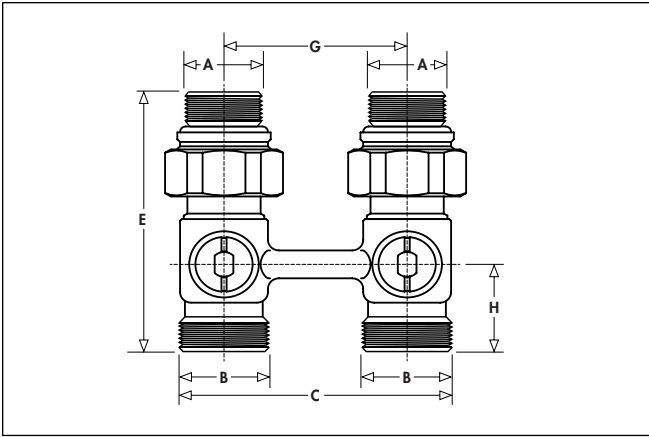
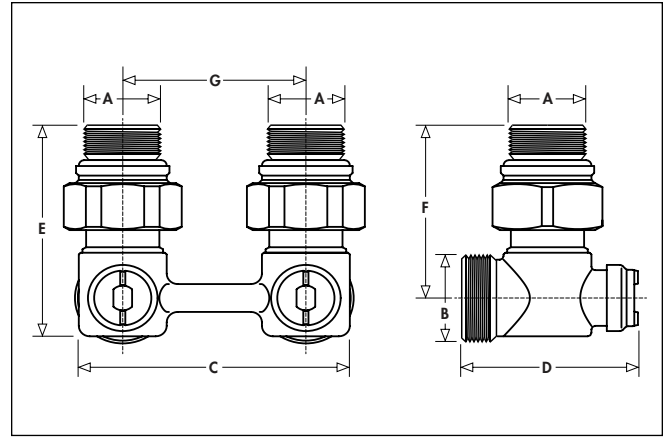


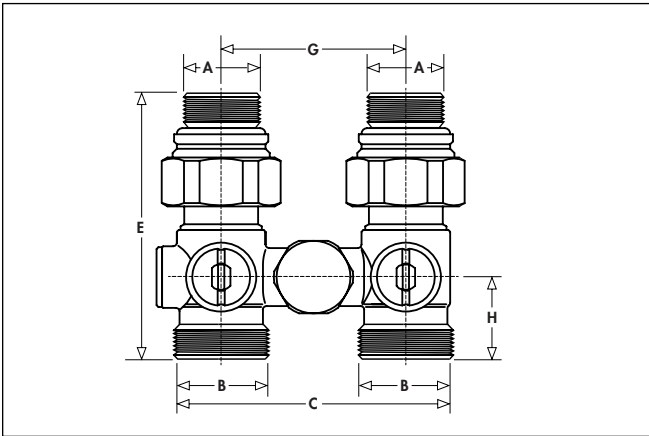
Dimensions



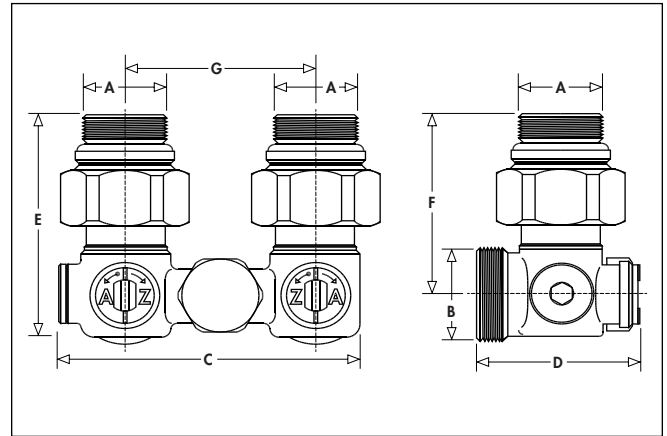
Code	A	B	C	D	E	F	G	H
301040	1/2" straight	3/4" conical	3"	—	2 5/8"	—	2" (50 mm)	3/4"



Code	A	B	C	D	E	F	G	H
301140	1/2" straight	3/4" conical	3"	1 3/4"	2 1/4"	1 7/8"	2" (50 mm)	—



Code	A	B	C	D	E	F	G	H
301241	1/2" straight	3/4" conical	3"	—	2 5/8"	—	2" (50 mm)	3/4"



Code	A	B	C	D	E	F	G	H
301341	1/2" straight	3/4" conical	3"	1 3/4"	2 1/4"	1 7/8"	2" (50 mm)	—