



# HANSAPOLO

Installation and maintenance guide



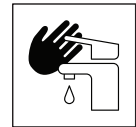




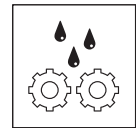
4-14



15-21



22



22-26

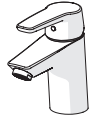
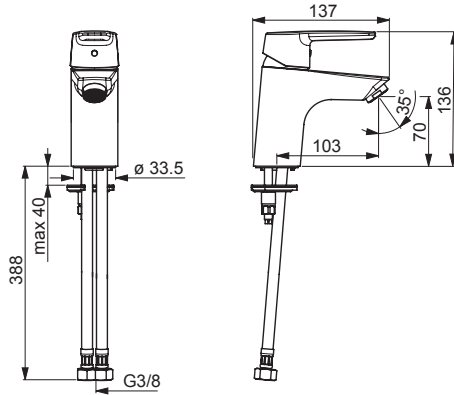


27



### 5142 2293

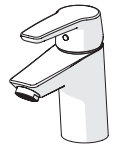
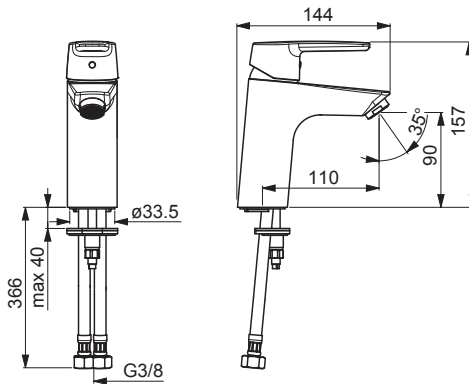
I (ISO3822)  
 EN 817  
 50 - 1000 kPa  
 0.10 l/s (300 kPa w/Controller)  
 max. +70°C



[mpi.hansa.com/51422293](http://mpi.hansa.com/51422293)

### 5152 2293

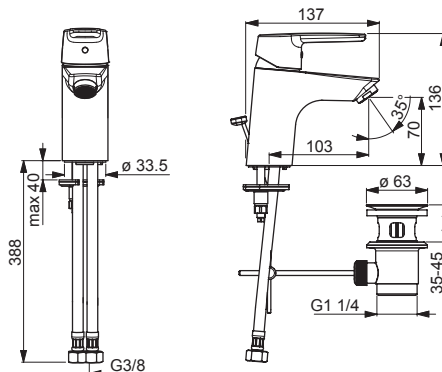
I (ISO3822)  
 EN 817  
 50 - 1000 kPa  
 0.10 l/s (300 kPa w/Controller)  
 max. +70°C



[mpi.hansa.com/51522293](http://mpi.hansa.com/51522293)

### 5140 2293

I (ISO3822)  
 EN 817  
 50 - 1000 kPa  
 0.10 l/s (300 kPa w/Controller)  
 200 kPa (0.1 l/s)  
 max. +70°C

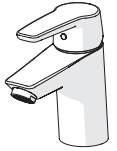
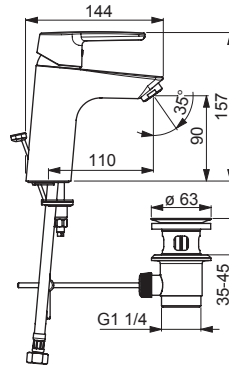
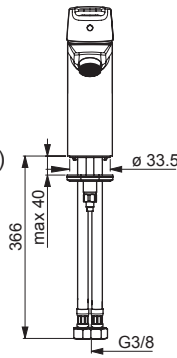


[mpi.hansa.com/51402293](http://mpi.hansa.com/51402293)



**5150 2293 , 5150 2293 0004,  
5150 2293 0005**

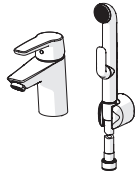
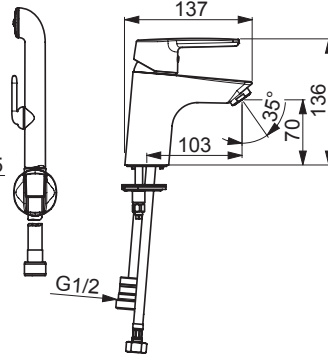
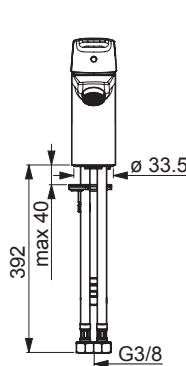
I (ISO3822)  
EN 817  
50 - 1000 kPa  
0.10 l/s (300 kPa w/Controller)  
0.056 l/s (300 kPa w/Controller)(0004)  
0.07 l/s (300 kPa w/Controller)(0005)  
max. +70°C



[mpi.hansa.com/51502293](http://mpi.hansa.com/51502293)

**5146 2293**

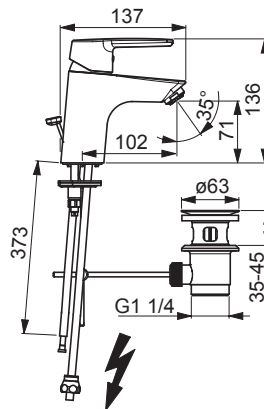
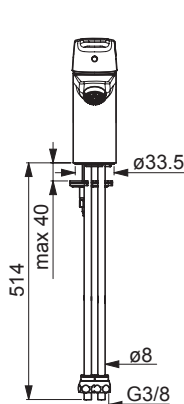
I (ISO3822)  
EN 817, EN 1113  
50 - 1000 kPa  
0.15 l/s (300 kPa)  
0.10 l/s (300 kPa w/Controller)  
max. +70°C



[mpi.hansa.com/51462293](http://mpi.hansa.com/51462293)

**5153 1193**

I (ISO 3822) Oras lab.  
EN 817  
50 - 500 kPa  
max. +80°C

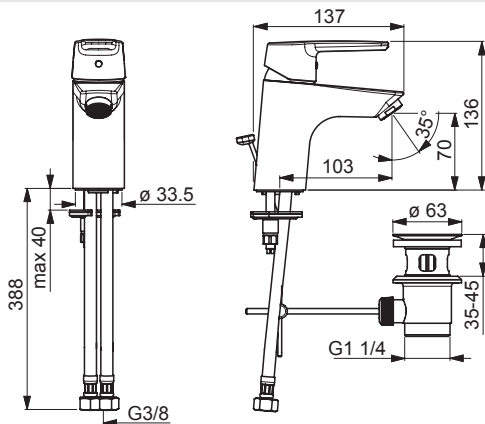


[mpi.hansa.com/51531193](http://mpi.hansa.com/51531193)



### 5140 2293 00676

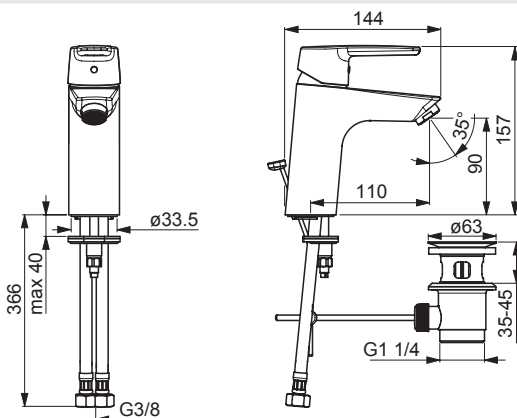
I (ISO3822)  
EN 817  
50 - 1000 kPa  
0.08 l/s (Eco)  
0.20 l/s (300 kPa)  
max. +70°C



[mpi.hansa.com/5140229300676](http://mpi.hansa.com/5140229300676)

### 5150 2293 00676

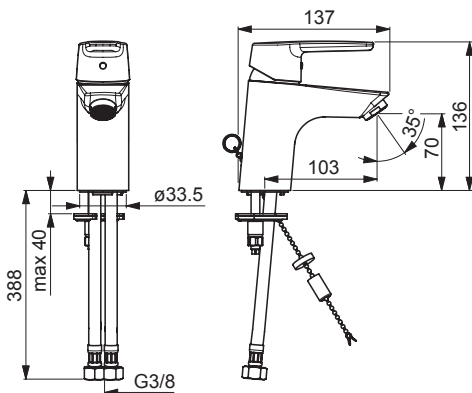
I (ISO3822)  
EN 817  
50 - 1000 kPa  
0.08 l/s (Eco)  
0.20 l/s (300 kPa)  
0.10 l/s (300 kPa w/Controller)  
max. +70°C



[mpi.hansa.com/5150229300676](http://mpi.hansa.com/5150229300676)

### 5141 2293

I (ISO3822)  
EN 817  
50 - 1000 kPa  
0.10 l/s (300 kPa w/Controller)  
max. +70°C

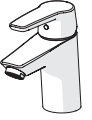
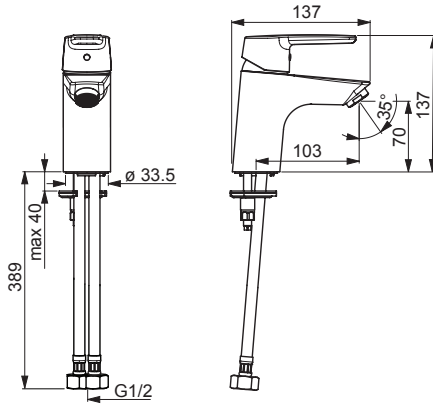


[mpi.hansa.com/51412293](http://mpi.hansa.com/51412293)



**5142 2293 0037**

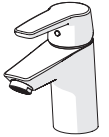
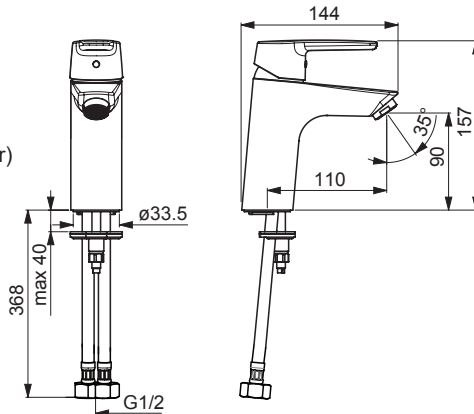
I (ISO3822)  
 EN 817  
 50 - 1000 kPa  
 0.10 l/s (300 kPa w/Controller)  
 max. +70°C



[mpi.hansa.com/514222930037](http://mpi.hansa.com/514222930037)

**5152 2293 0037**

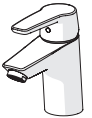
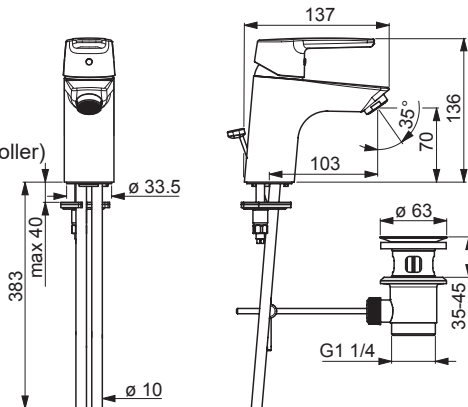
I (ISO3822)  
 EN 817  
 50 - 1000 kPa  
 0.10 l/s (300 kPa w/Controller)  
 max. +70°C



[mpi.hansa.com/515222930037](http://mpi.hansa.com/515222930037)

**5140 2193**

I (ISO3822)  
 EN 817  
 50 - 1000 kPa  
 0.10 l/s (300 kPa w/Controller)  
 max. +70°C

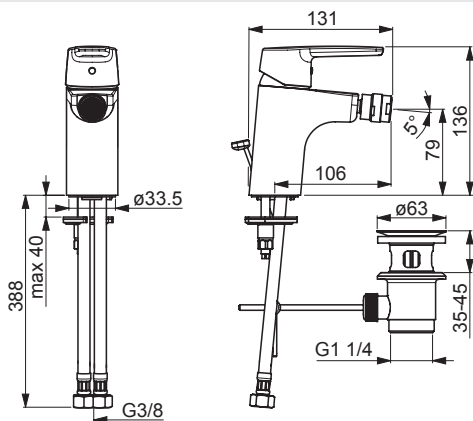


[mpi.hansa.com/51402193](http://mpi.hansa.com/51402193)



### 5143 3293

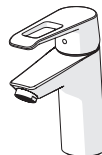
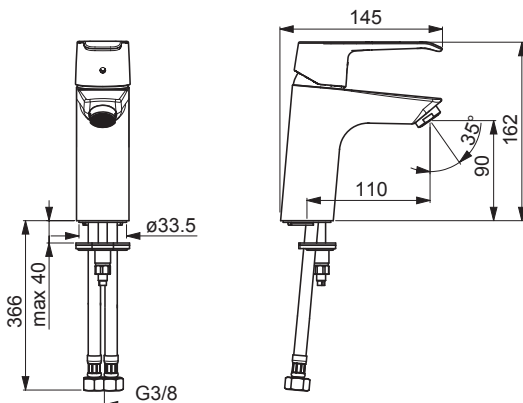
I (ISO3822)  
EN 817  
50 - 1000 kPa  
0.10 l/s (300 kPa w/Controller)  
max. +70°C



[mpi.hansa.com/51433293](http://mpi.hansa.com/51433293)

### 5152 2286

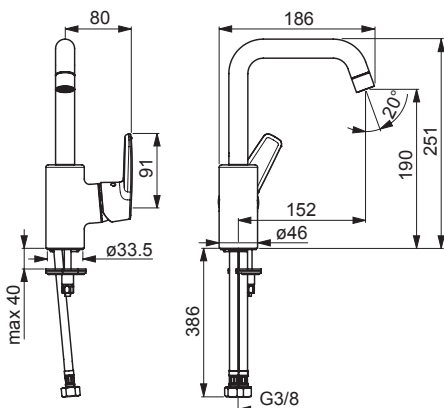
I (ISO 3822) Oras lab.  
EN 817  
50 - 1000 kPa  
0.1 l/s (300 kPa w/Controller)  
200 kPa (0.1 l/s)  
max. +70°C



[mpi.hansa.com/51522286](http://mpi.hansa.com/51522286)

### 5154 2293

I (ISO3822)  
EN 817  
50 - 1000 kPa  
0.10 l/s (300 kPa w/Controller)  
max. +70°C



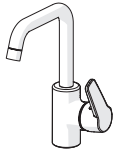
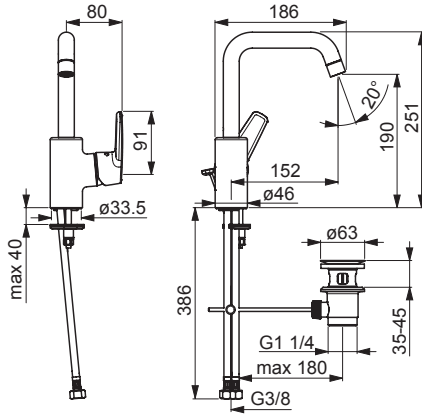
[mpi.hansa.com/51542293](http://mpi.hansa.com/51542293)





**5155 2293**

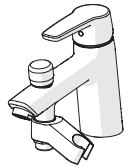
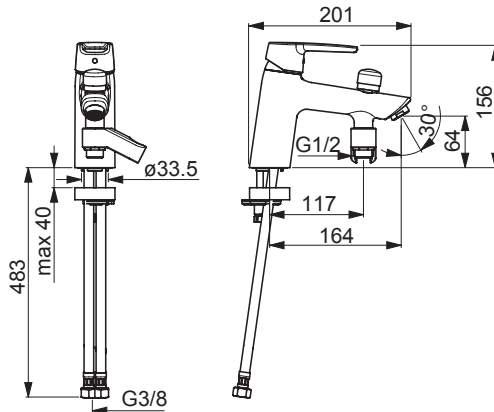
I (ISO3822)  
 EN 817  
 50 - 1000 kPa  
 0.10 l/s (300 kPa w/Controller)  
 max. +70°C



[mpi.hansa.com/51552293](http://mpi.hansa.com/51552293)

**5239 2293**

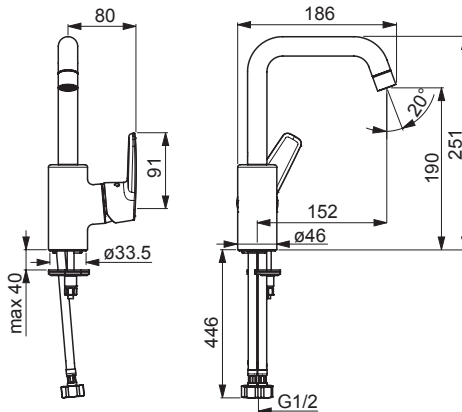
II (ISO 3822)  
 EN 817  
 50 - 1000 kPa  
 0.34 / 0.32 l/s (300 kPa)  
 max. +70°C



[mpi.hansa.com/52392293](http://mpi.hansa.com/52392293)

**5154 2293 0037**

I (ISO3822)  
 EN 817  
 50 - 1000 kPa  
 0.10 l/s (300 kPa w/Controller)  
 max. +70°C

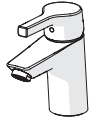
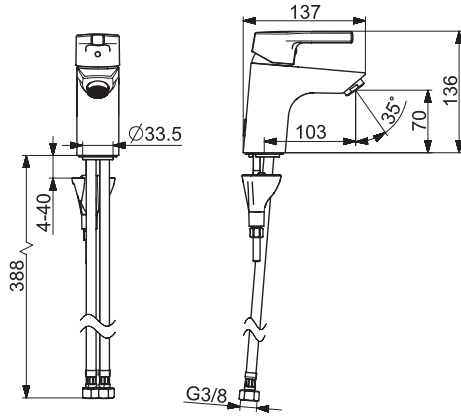


[mpi.hansa.com/515422930037](http://mpi.hansa.com/515422930037)



### 5636 2203

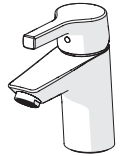
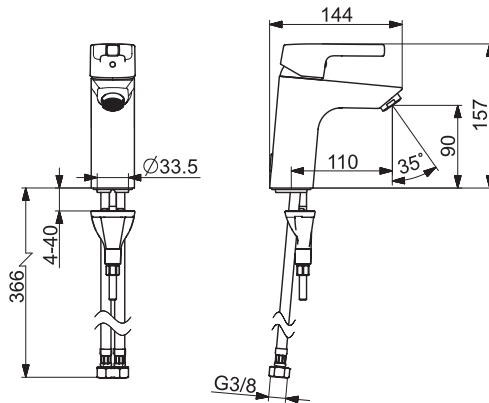
I (ISO3822)  
EN 817  
50 - 1000 kPa  
0.1 l/s (300 kPa w/Controller)  
max. +70°C



[mpi.hansa.com/56362203](http://mpi.hansa.com/56362203)

### 5642 2203

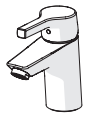
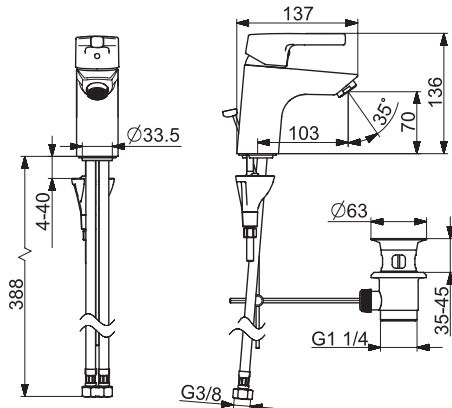
I (ISO3822)  
EN 817  
50 - 1000 kPa  
0.1 l/s (300 kPa w/Controller)  
max. +70°C



[mpi.hansa.com/56422203](http://mpi.hansa.com/56422203)

### 5635 2203

I (ISO3822)  
EN 817  
50 - 1000 kPa  
0.1 l/s (300 kPa w/Controller)  
max. +70°C

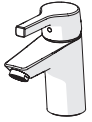
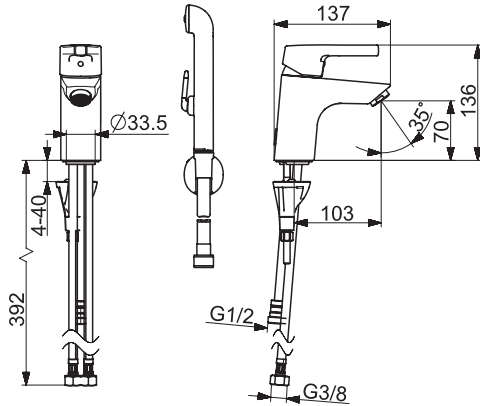


[mpi.hansa.com/56352203](http://mpi.hansa.com/56352203)



**5640 2203**

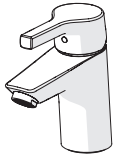
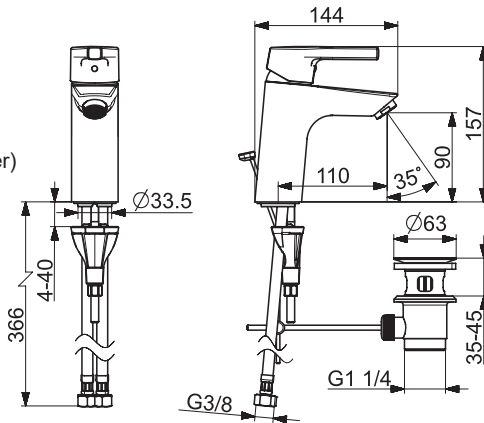
I (ISO3822)  
 EN 817, EN 1113  
 50 - 1000 kPa  
 0.15 l/s (300 kPa)  
 0.1 l/s (300 kPa w/Controller)  
 max. +70°C



[mpi.hansa.com/56402203](http://mpi.hansa.com/56402203)

**5641 2203**

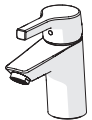
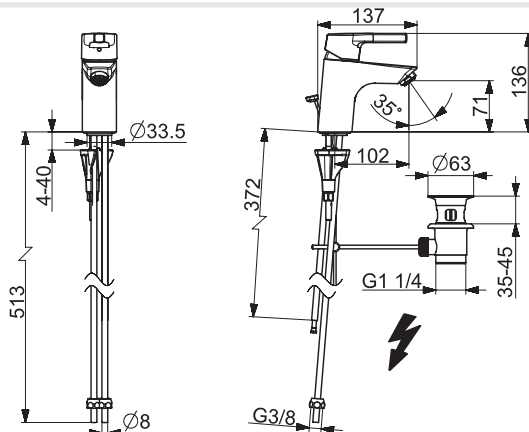
I (ISO3822)  
 EN 817  
 50 - 1000 kPa  
 0.1 l/s (300 kPa w/Controller)  
 max. +70°C



[mpi.hansa.com/56412203](http://mpi.hansa.com/56412203)

**5639 1103**

I (ISO3822)  
 EN 817  
 50 - 500 kPa  
 0.1 l/s (300 kPa w/Reducer)  
 max. +80°C

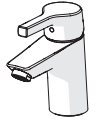
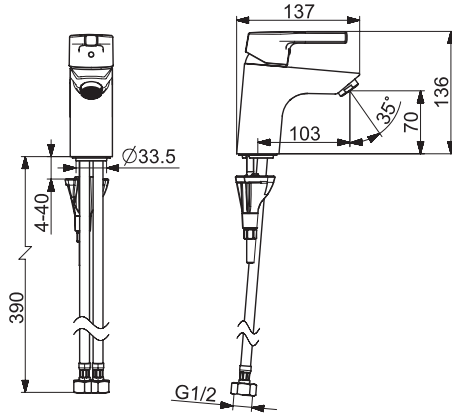


[mpi.hansa.com/56391103](http://mpi.hansa.com/56391103)



### 5636 2203 0037

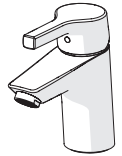
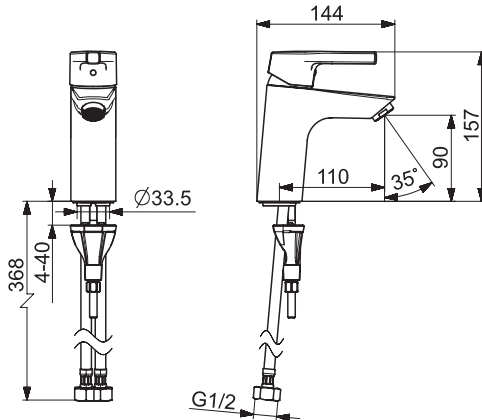
I (ISO3822)  
 EN 817  
 50 - 1000 kPa  
 0.1 l/s (300 kPa w/Controller)  
 max. +70°C



[mpi.hansa.com/563622030037](http://mpi.hansa.com/563622030037)

### 5642 2203 0037

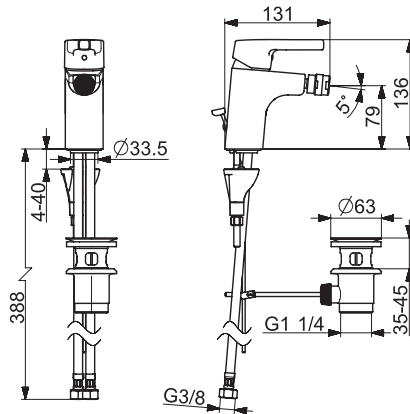
I (ISO3822)  
 EN 817  
 50 - 1000 kPa  
 0.1 l/s (300 kPa w/Controller)  
 max. +70°C



[mpi.hansa.com/564222030037](http://mpi.hansa.com/564222030037)

### 5644 3203

I (ISO3822)  
 EN 817  
 50 - 1000 kPa  
 0.1 l/s (300 kPa w/Controller)  
 max. +70°C

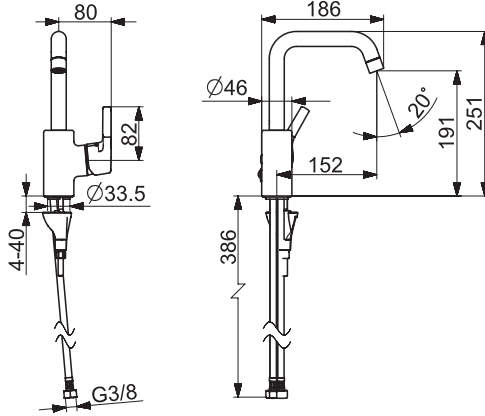


[mpi.hansa.com/56443203](http://mpi.hansa.com/56443203)



### 5643 2203

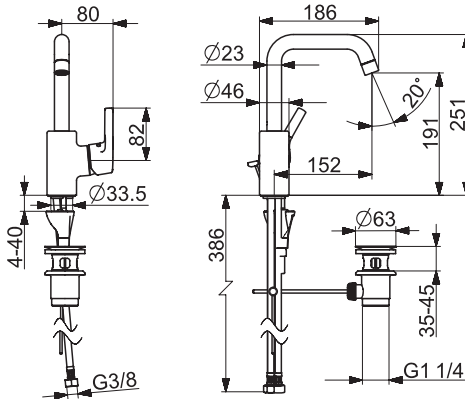
I (ISO3822)  
 EN 817  
 50 - 1000 kPa  
 0.1 l/s (300 kPa w/Controller)  
 max. +70°C



[mpi.hansa.com/56432203](http://mpi.hansa.com/56432203)

### 5637 2203

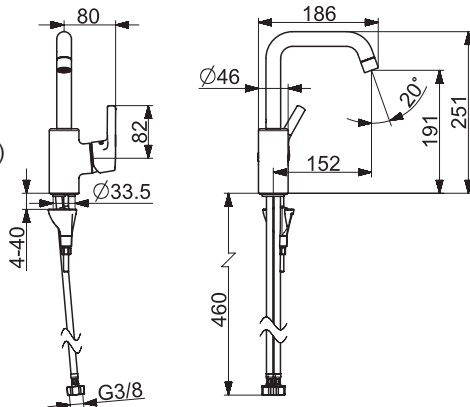
I (ISO3822)  
 EN 817  
 50 - 1000 kPa  
 0.1 l/s (300 kPa w/Controller)  
 max. +70°C



[mpi.hansa.com/56372203](http://mpi.hansa.com/56372203)

### 5643 2203 0037

I (ISO3822)  
 EN 817  
 50 - 1000 kPa  
 0.1 l/s (300 kPa w/Controller)  
 max. +70°C

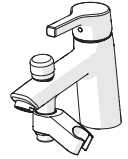
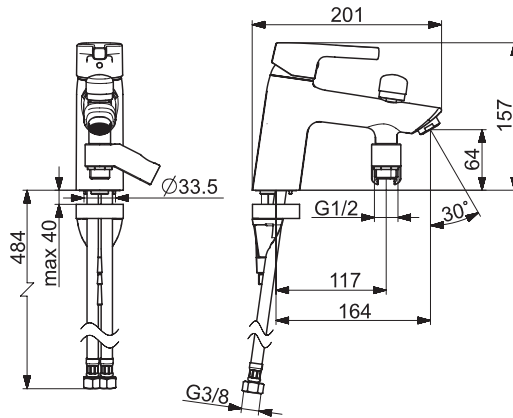


[mpi.hansa.com/564322030037](http://mpi.hansa.com/564322030037)



## 5646 2203

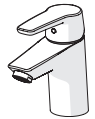
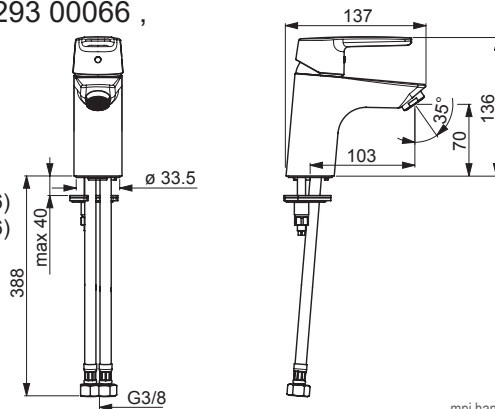
II (ISO 3822)  
EN 817  
50 - 1000 kPa  
0.34 / 0.22 l/s (300 kPa)  
max. +70°C



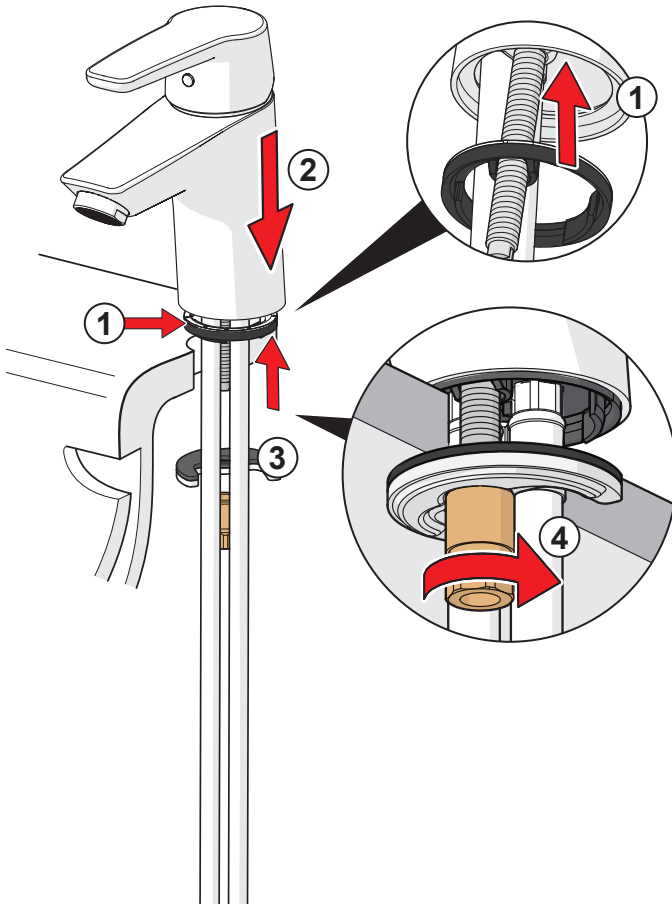
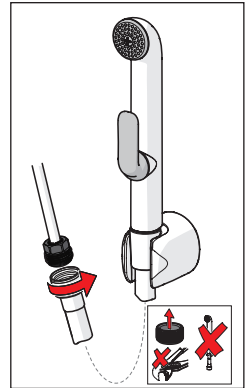
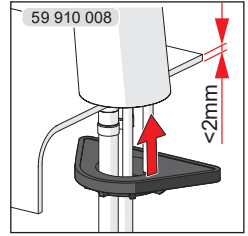
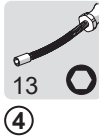
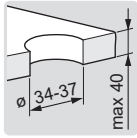
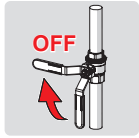
[mpi.hansa.com/56462203](http://mpi.hansa.com/56462203)

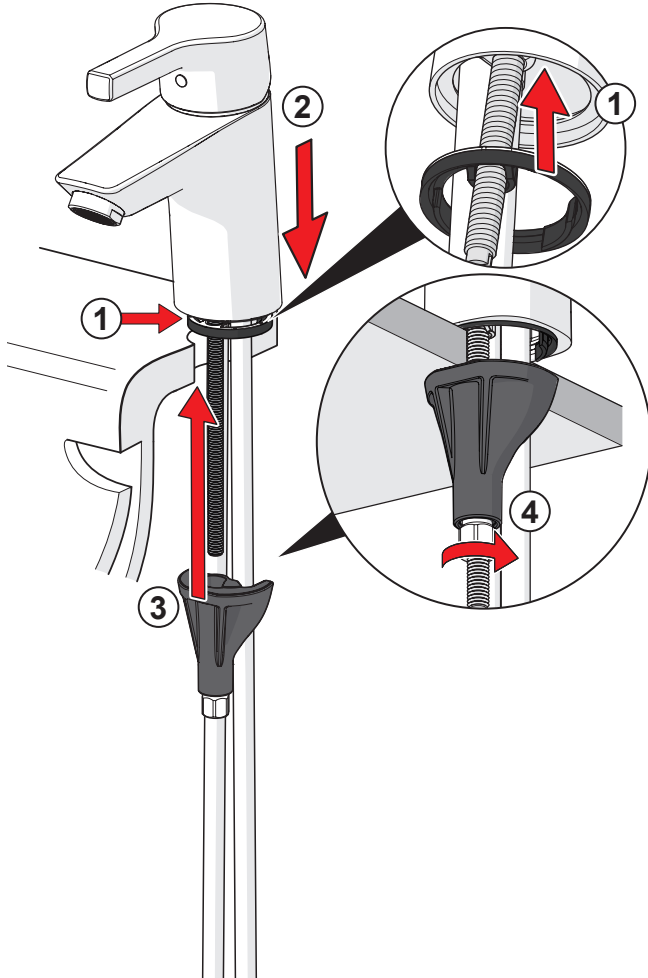
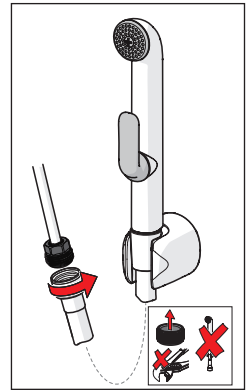
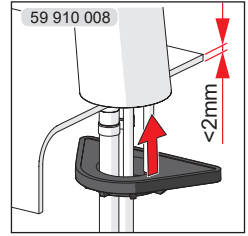
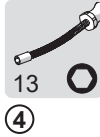
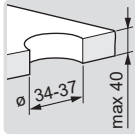
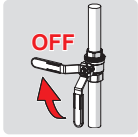
## 5142 2293 00056 , 5142 2293 00066 ,

I (ISO 3822)  
EN 817  
50 - 1000 kPa  
0.065 l/s (Eco) (00066)  
0.05 l/s (Eco) (00056)  
0.01 l/s (300 kPa w/Controller) (00066)  
0.07 l/s (300 kPa w/Controller) (00056)  
200 kPa (0.1 l/s)  
max. +70°C

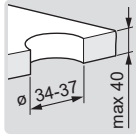
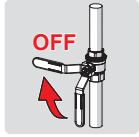


[mpi.hansa.com/5142229300056](http://mpi.hansa.com/5142229300056)

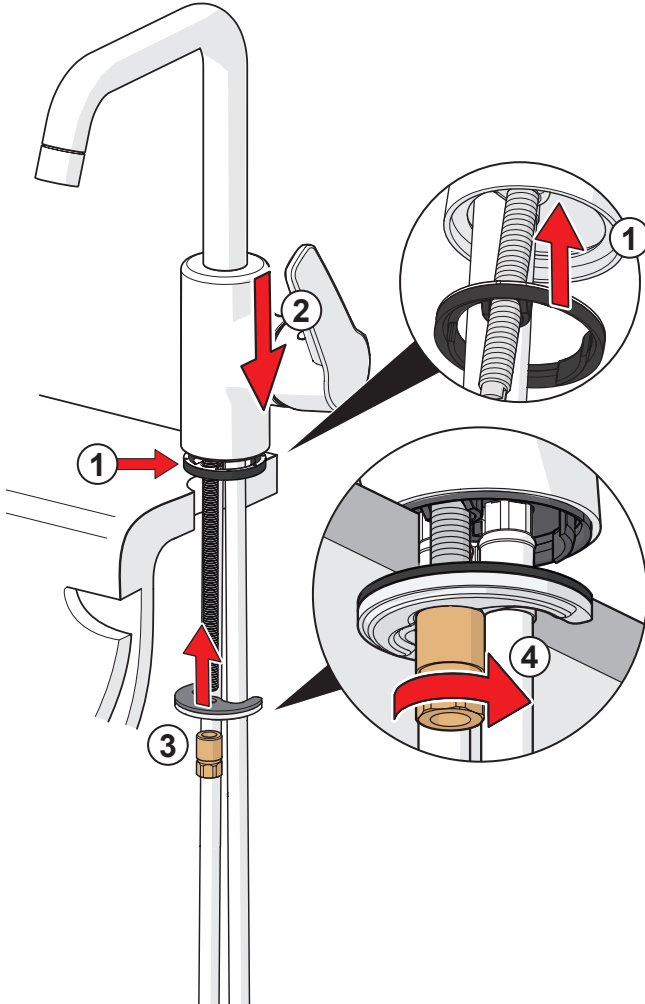
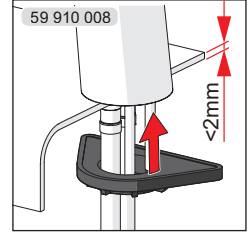


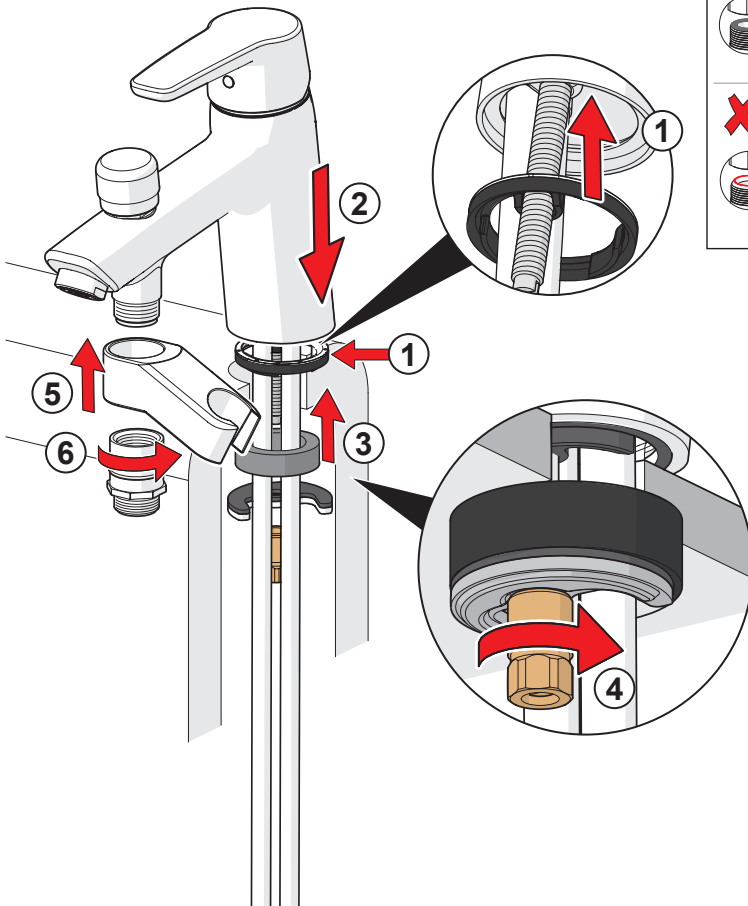
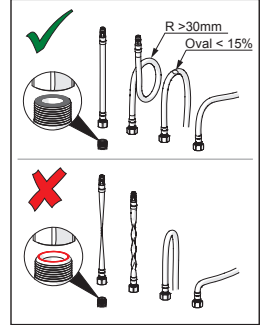
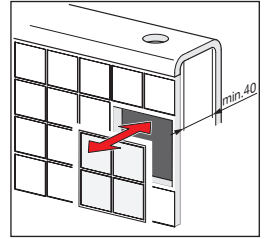
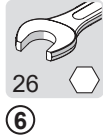
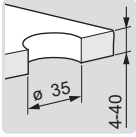
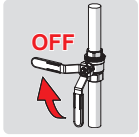






max.  
1600 kPa

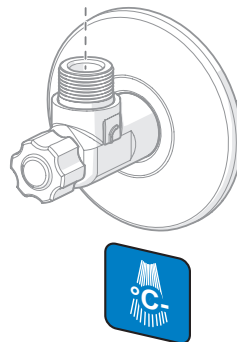
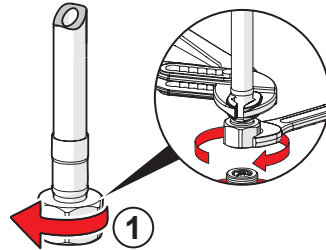
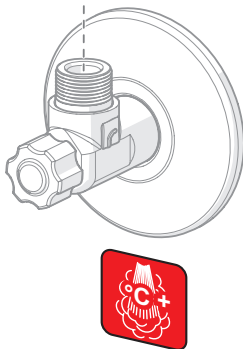
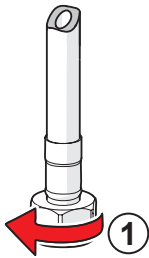
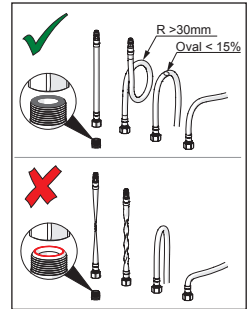






19

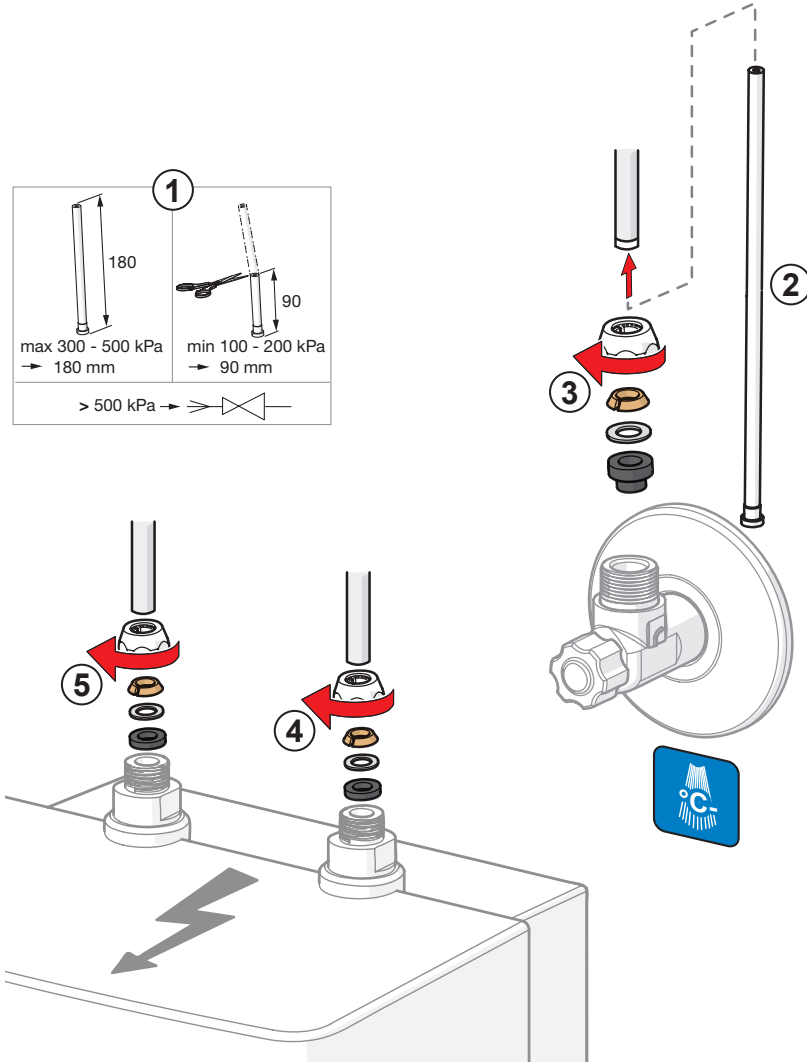
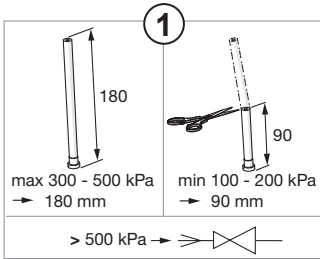
①





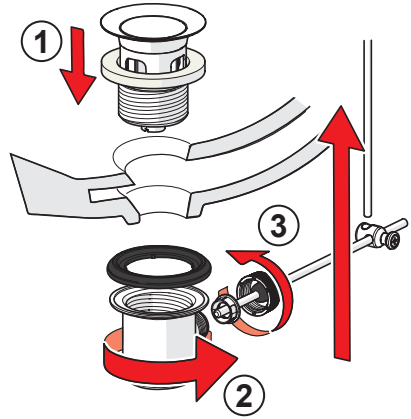
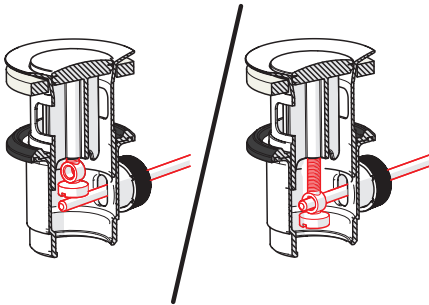
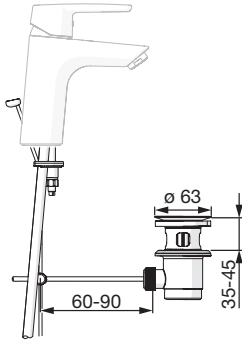
19

③ ④ ⑤

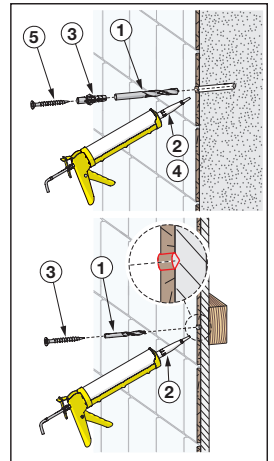
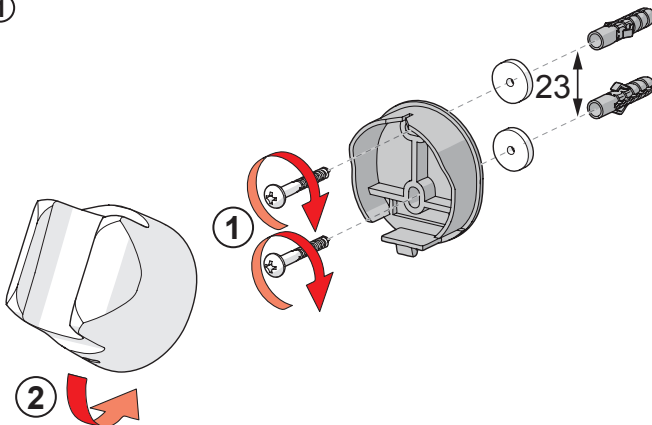


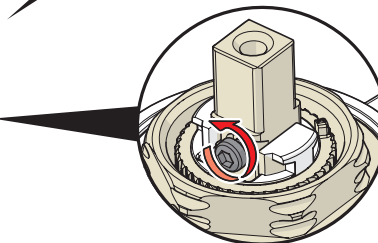
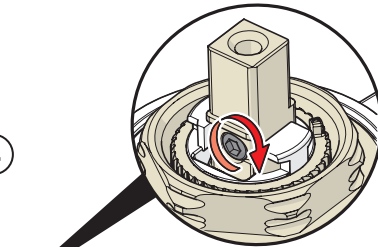
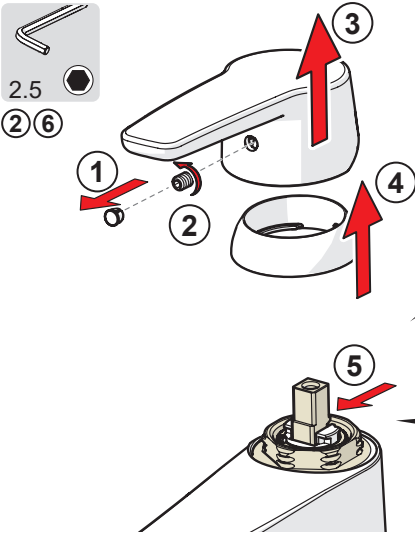
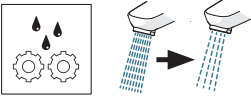
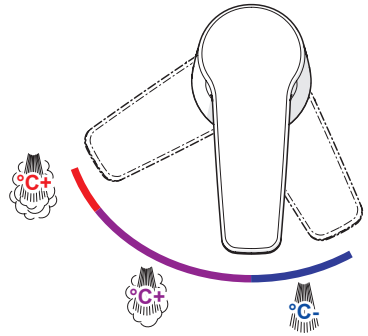
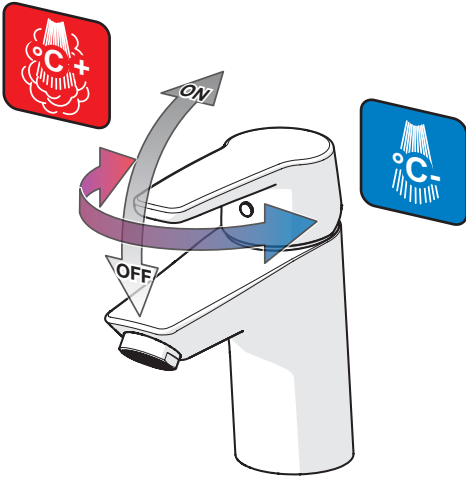


① ② ③



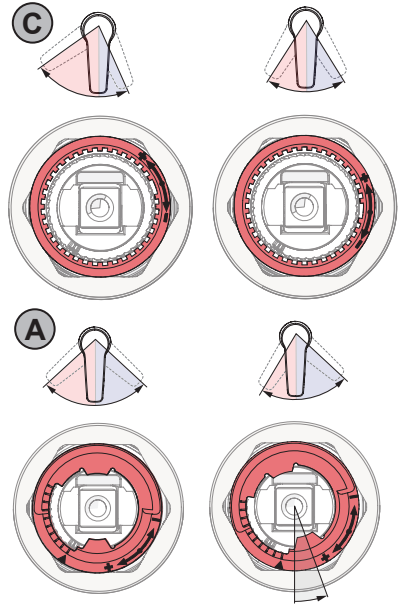
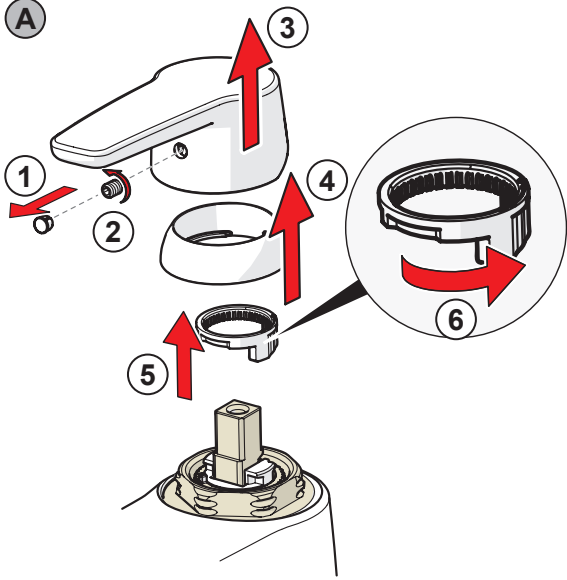
①



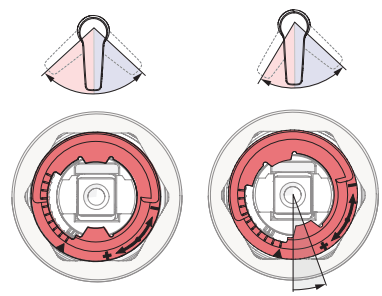
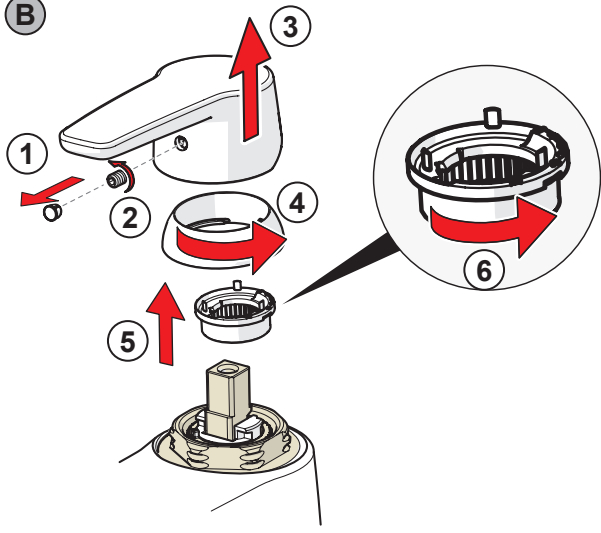


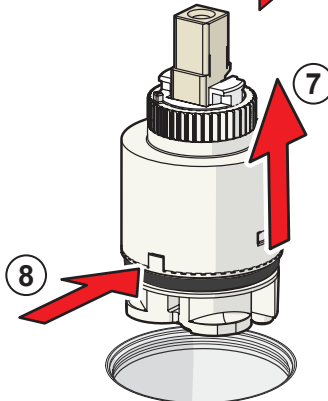
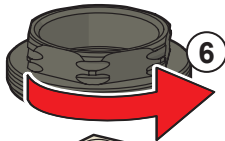
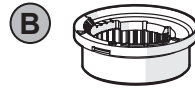
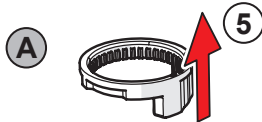
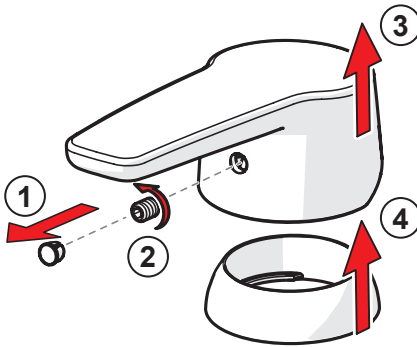
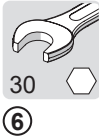
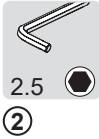
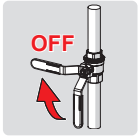


②  
A

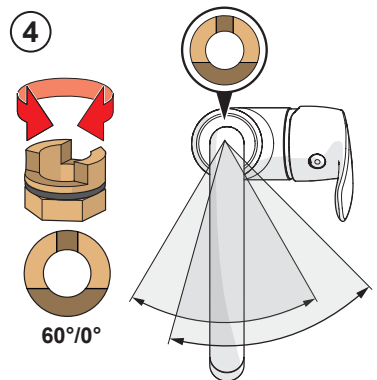
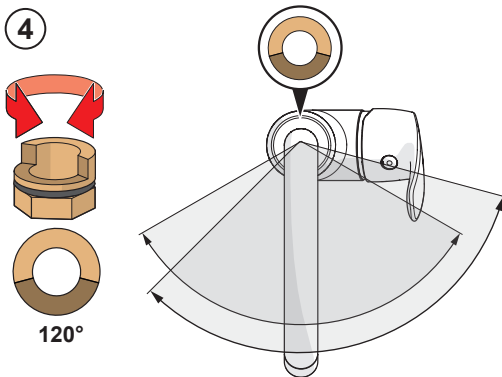
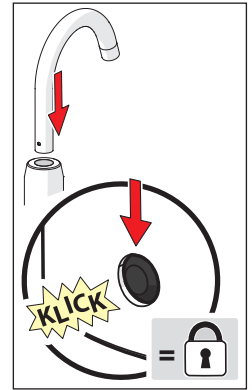
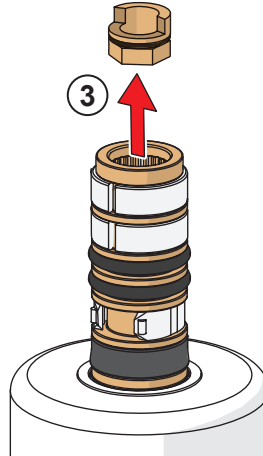
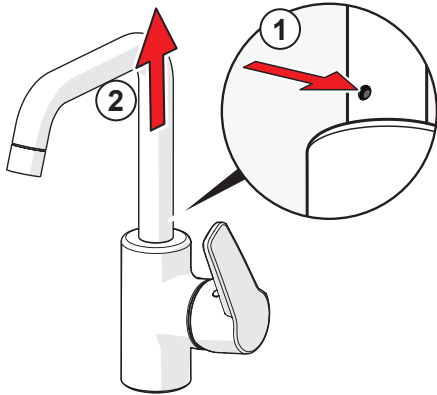
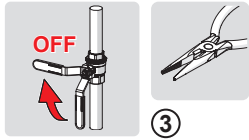
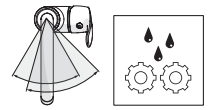


B



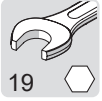






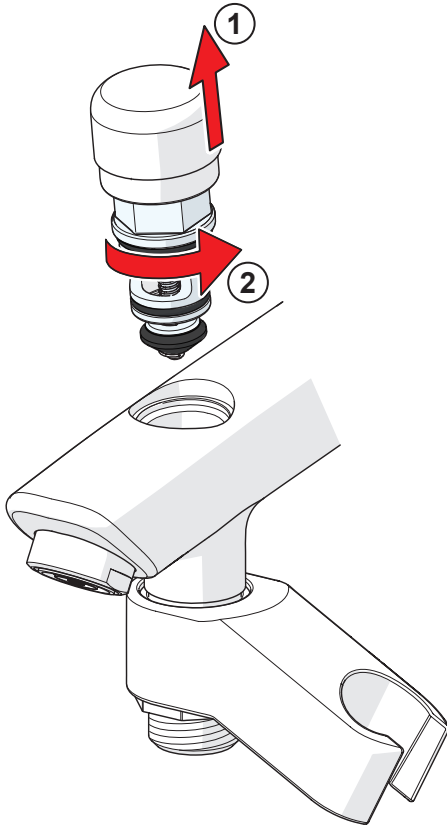
59 914 429

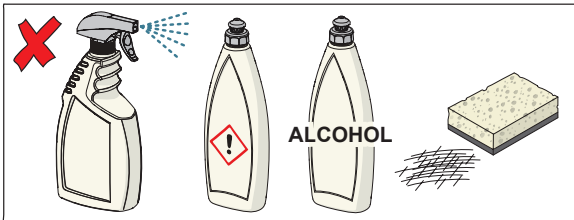
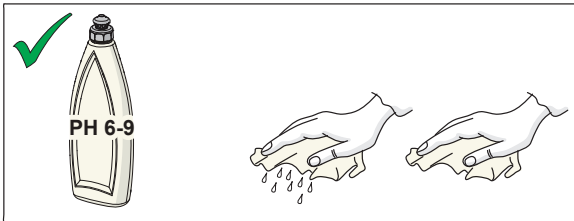
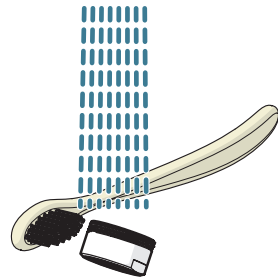
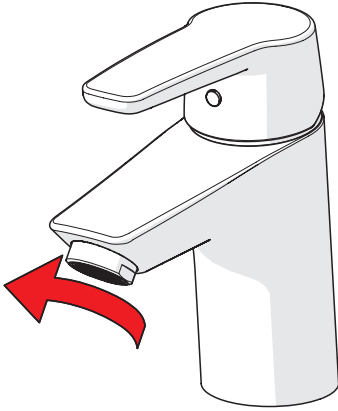
59 914 264



19

①





CLEANING.HANSA.COM









Oras Group is a powerful European provider of sanitary fittings: the market leader in the Nordics and a leading company in Continental Europe. The company's mission is to make the use of water easy and sustainable and its vision is to become the European leader of advanced sanitary fittings. Oras Group has two strong brands: Oras and Hansa.

The Group's head office is located in Rauma, Finland, and the Group has three manufacturing sites: Kralovice (Czech Republic), Olesno (Poland) and Rauma (Finland). Oras Group employs approximately 1,200 people in twenty countries. Oras Group is owned by Oras Invest, a family company and an industrial owner.

HANSA Armaturen GmbH  
P. O. BOX 81 02 40  
D-70519 Stuttgart  
Sigmaringer Strasse 107  
D-70567 Stuttgart  
Tel.: +49 711 16 14 0  
Fax: +49 711 16 14 368  
info@hansa.de  
www.hansa.com



943235D-01-22