



HANSA

Installation and maintenance guide



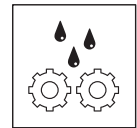
4-5



6-10



11-12



13-17



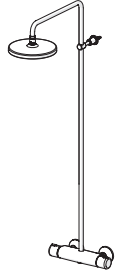
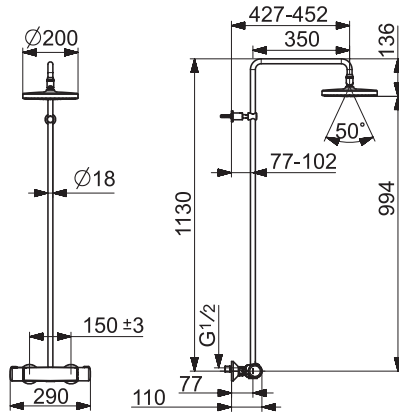
17



4435 0100

I (ISO 3822)
 EN 1111
 100 - 1000 kPa
 0.27 l/s (300 kPa)
 170 kPa (0.2 l/s)

max. +65°C

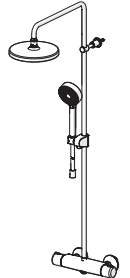
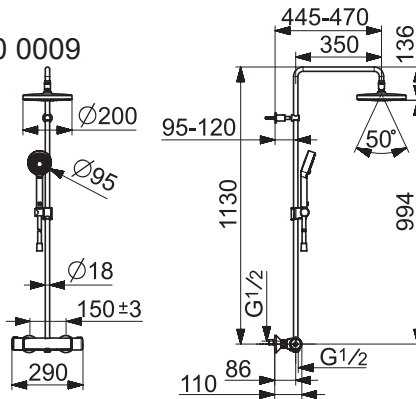


mpi.hansa.com/44350100

4435 0130 , 4435 0130 33, 4435 0130 0007, 4435 0130 0009

I (ISO 3822)
 EN 1111, EN 1112, EN 1113
 100 - 1000 kPa
 0.25 / 0.26 l/s (300 kPa)
 180 kPa (0.2 l/s)
4435 0130 0007:
 0.125 l/s (300 kPa w/Controller)
4435 0130 0009:
 0.15 l/s (300 kPa w/Controller)

max. +65°C

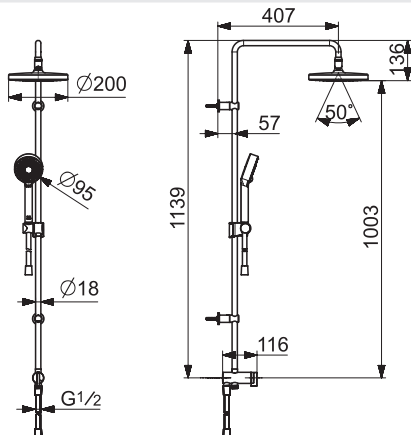


mpi.hansa.com/44350130

4438 0200

I (ISO 3822)
 EN 1112, EN 1113
 100 - 1000 kPa
 0.25 / 0.26 l/s (300 kPa)
 180 kPa (0.2 l/s)

max. +65°C



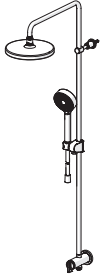
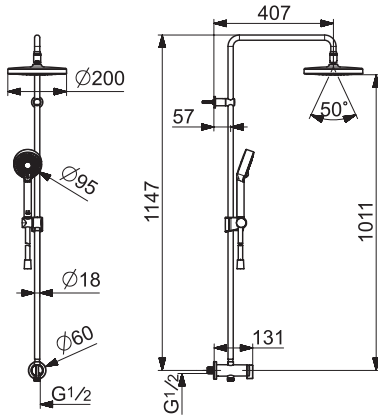
mpi.hansa.com/44380200



4439 0200

I (ISO 3822)
EN 1112, EN 1113
100 - 1000 kPa
0.25 / 0.26 l/s (300 kPa)
180 kPa (0.2 l/s)

max. +65°C

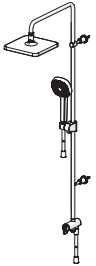
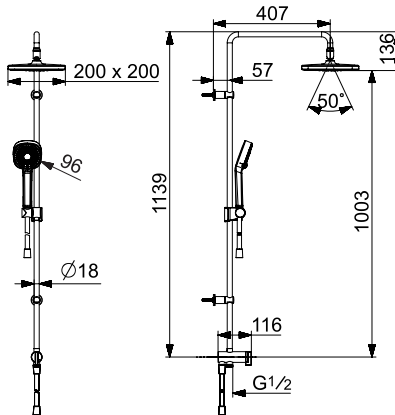


mpi.hansa.com/44390200

4438 0300

I (ISO 3822)
EN 1112, EN 1113
100 - 1000 kPa
0.25 / 0.26 l/s (300 kPa)
180 kPa (0.2 l/s)

max. +65°C

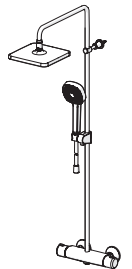
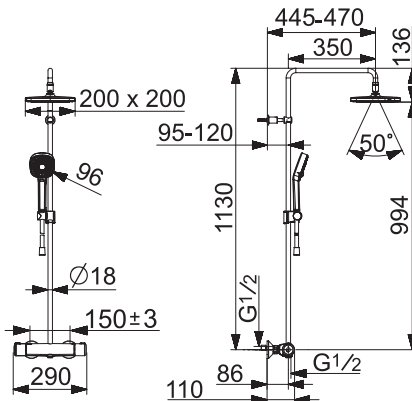


mpi.hansa.com/44380300

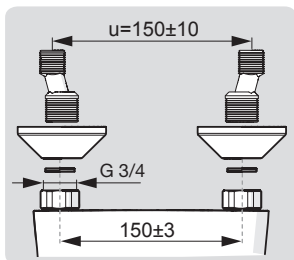
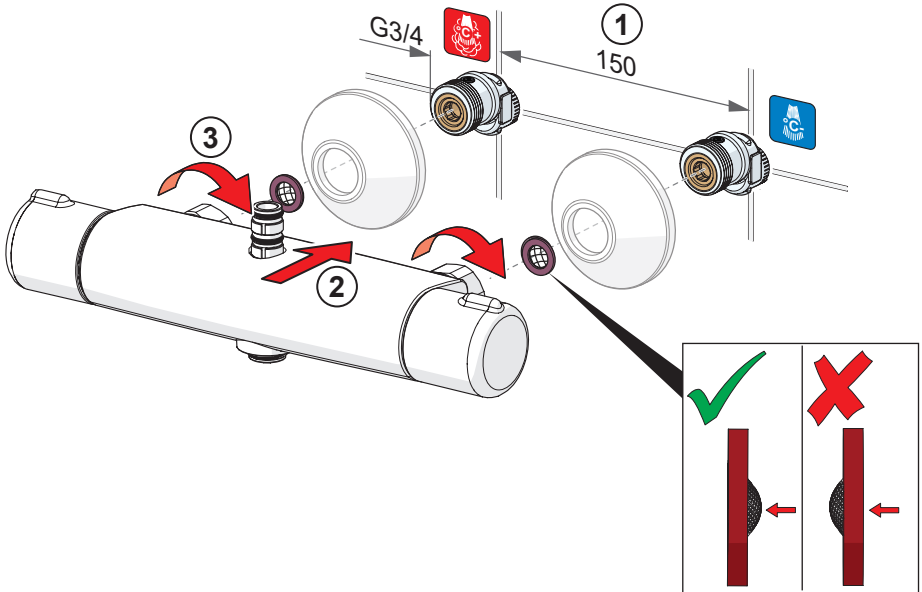
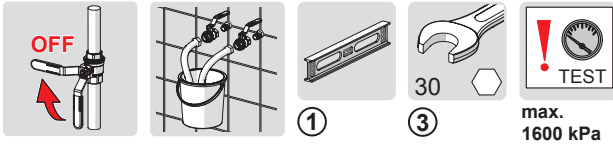
4435 0230

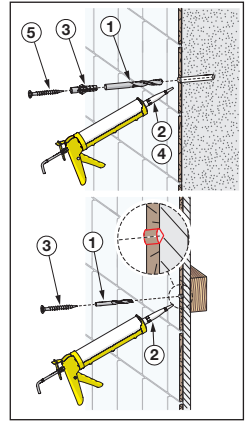
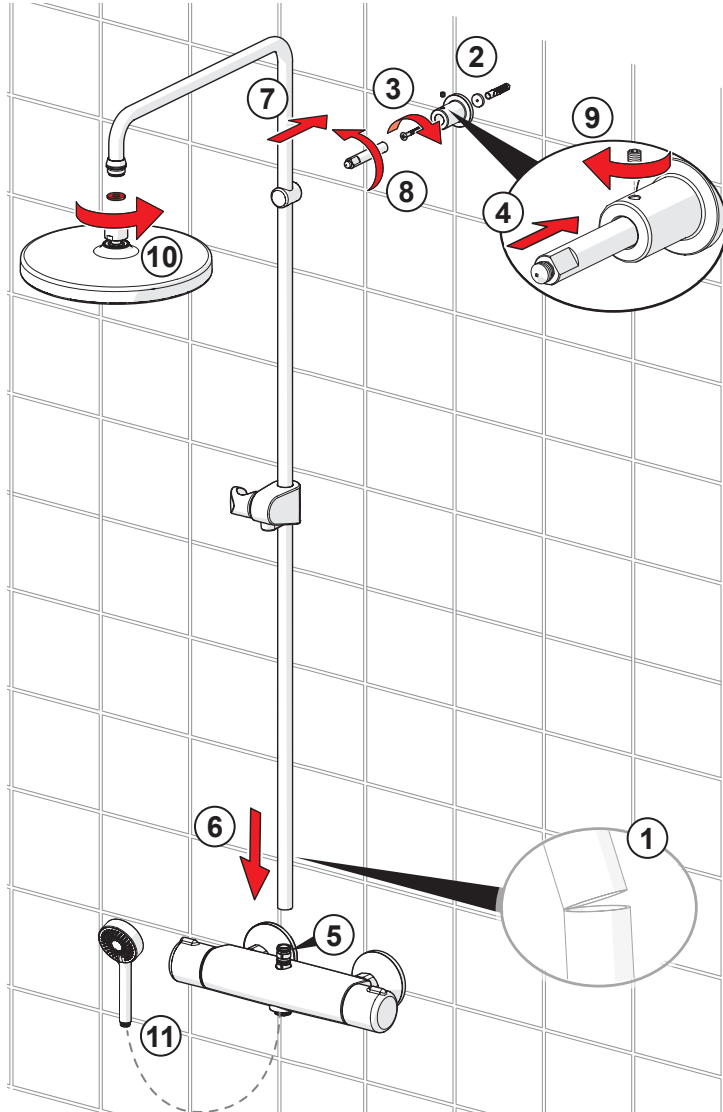
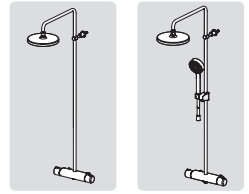
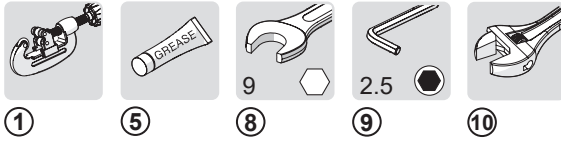
I (ISO 3822)
EN 1112, EN 1113, EN 1111
100 - 1000 kPa
0.3 / 0.26 l/s (300 kPa)
180 kPa (0.2 l/s)

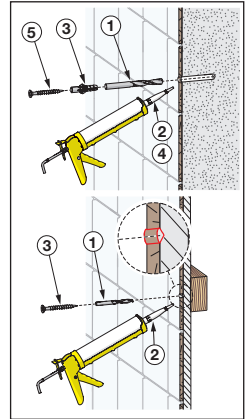
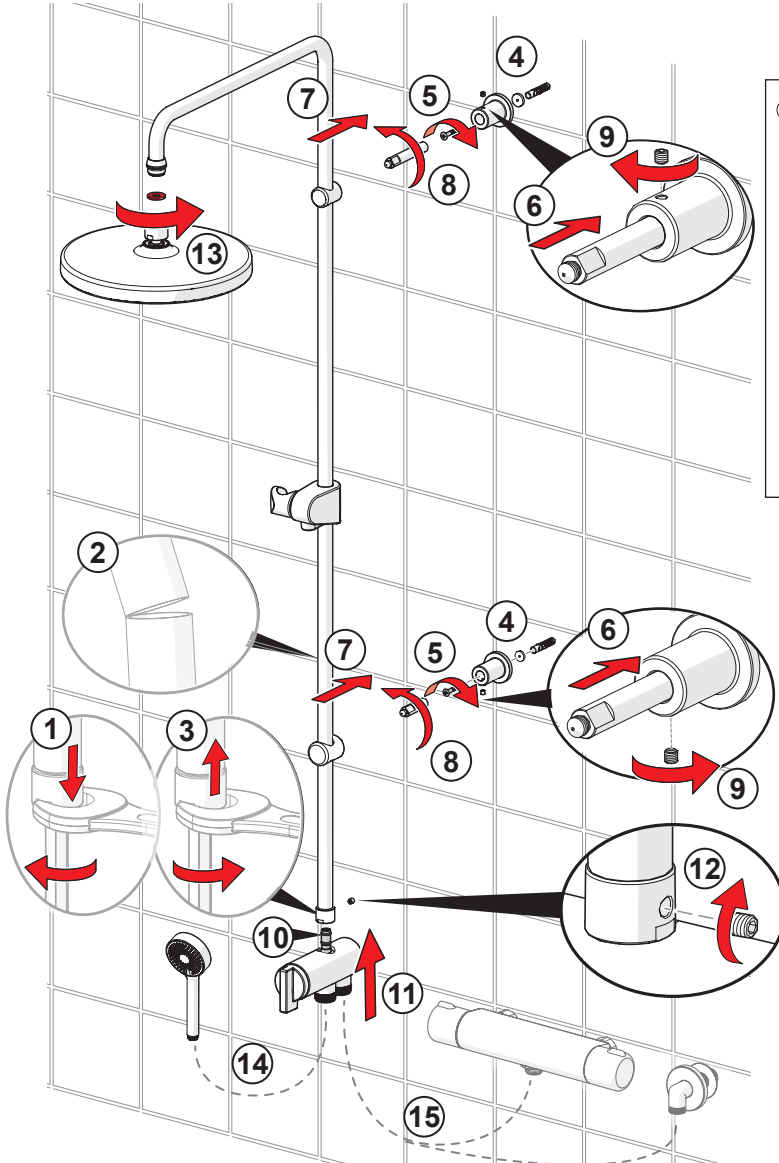
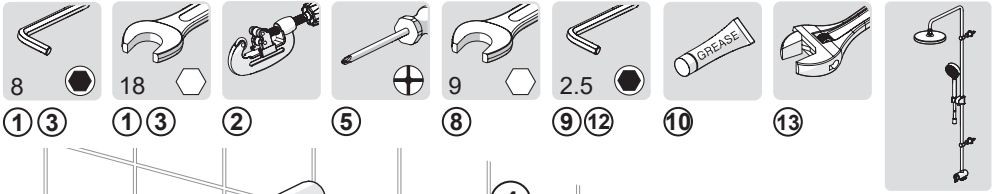
max. +65°C

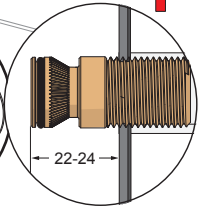
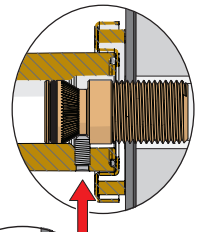
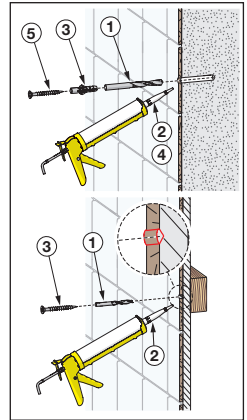
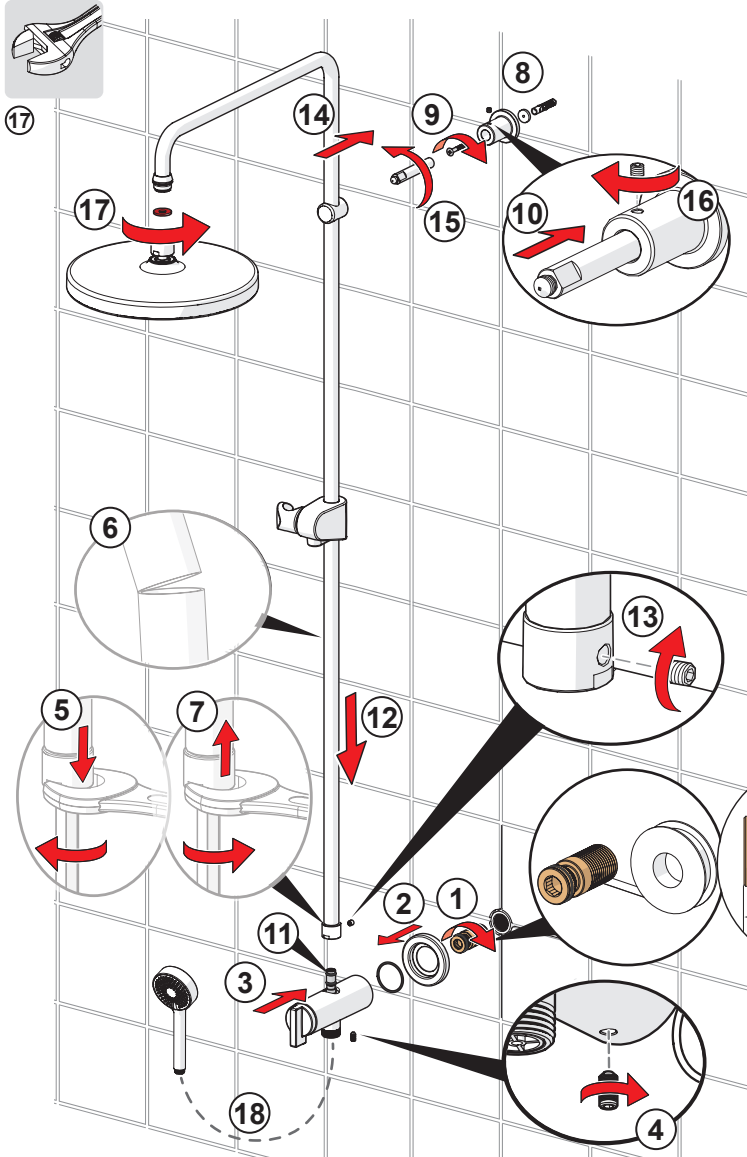
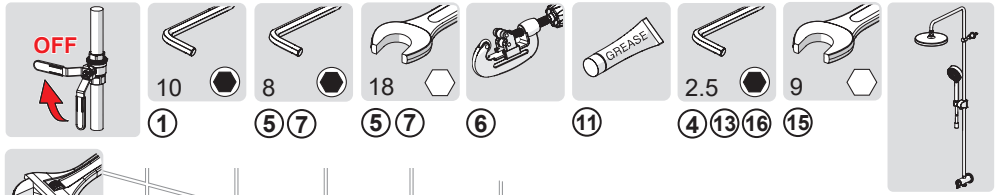


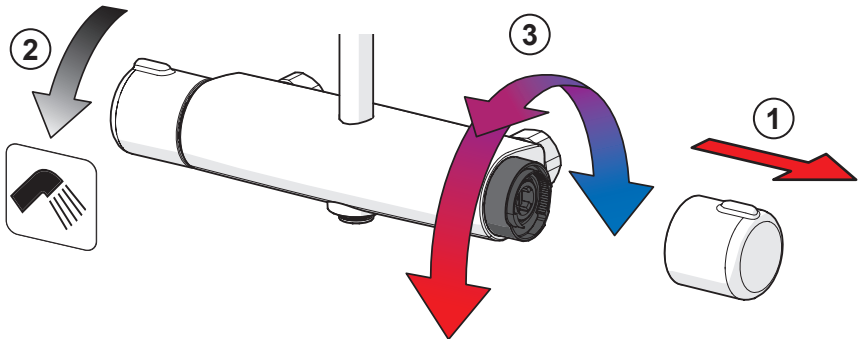
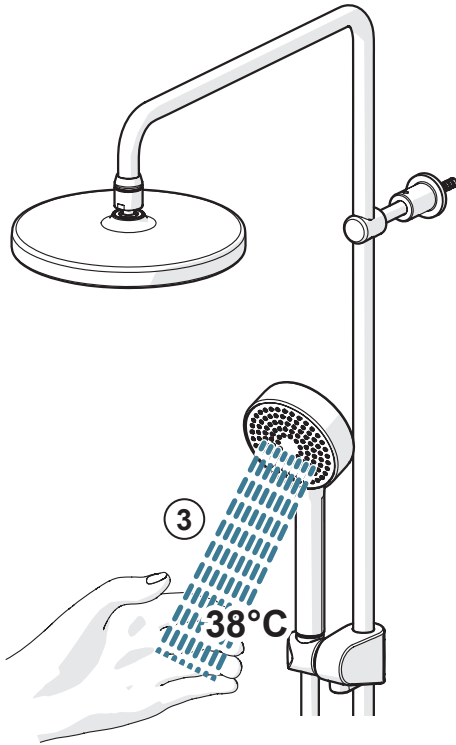
mpi.hansa.com/44350230

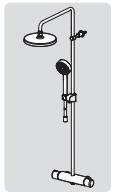
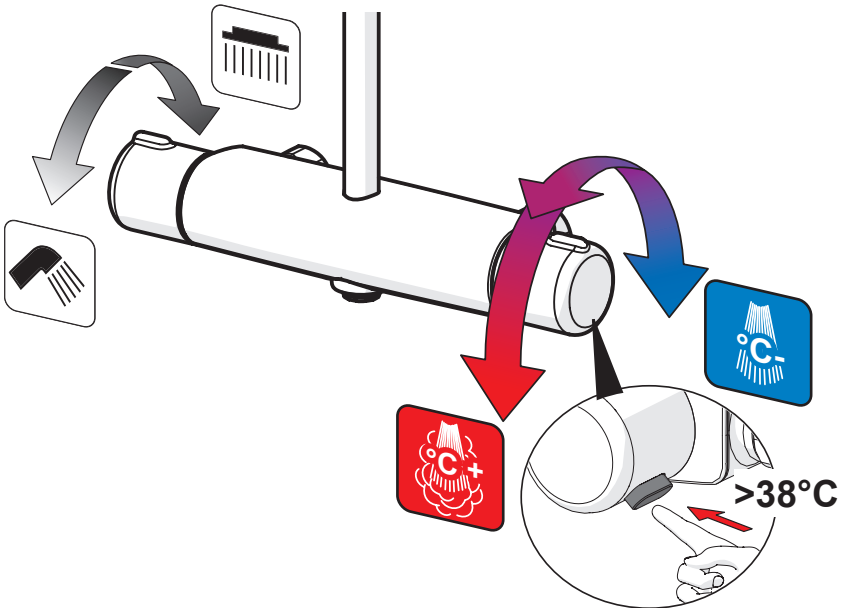
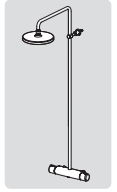
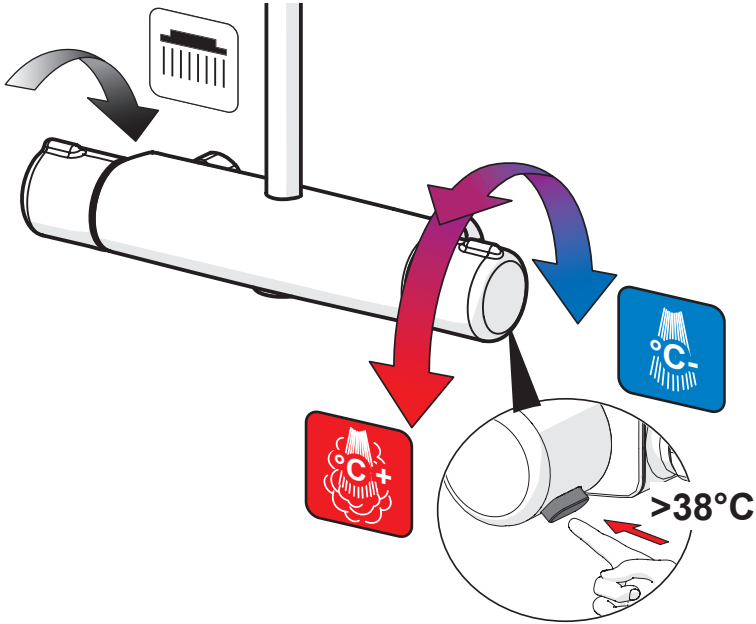


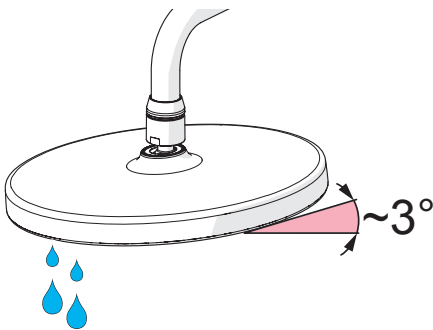
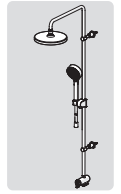
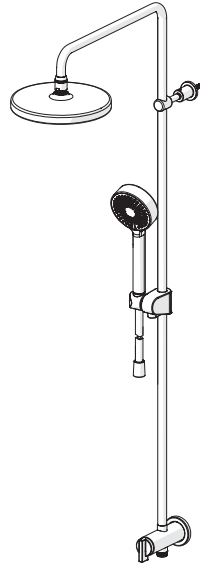
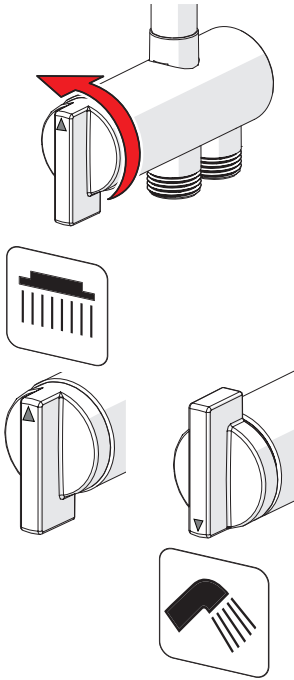




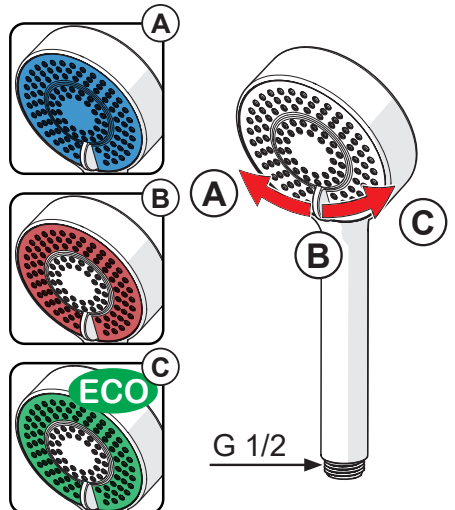


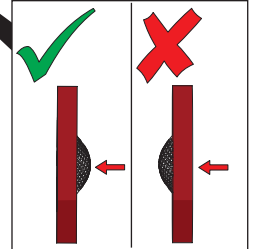
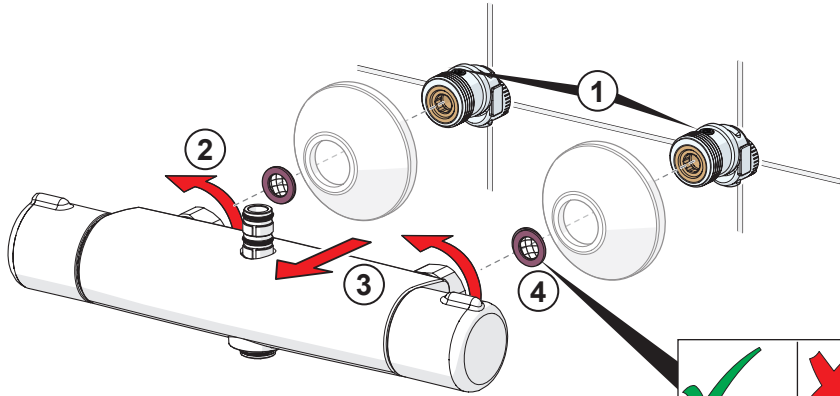
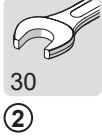
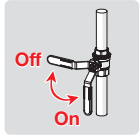
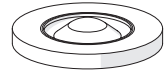


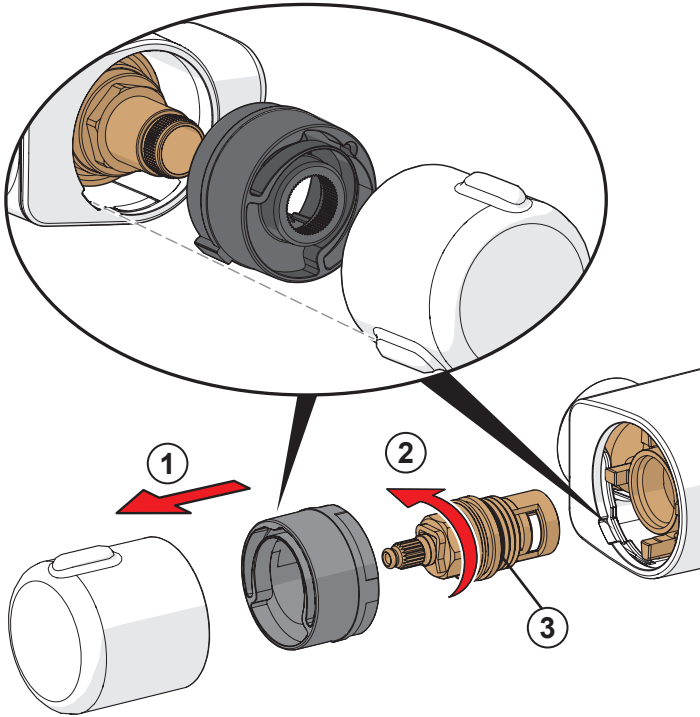
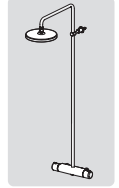
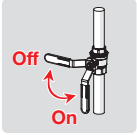


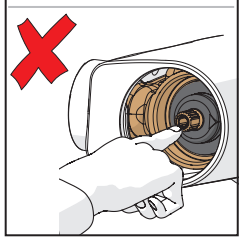
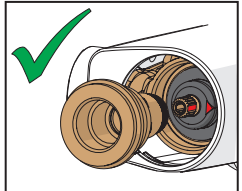
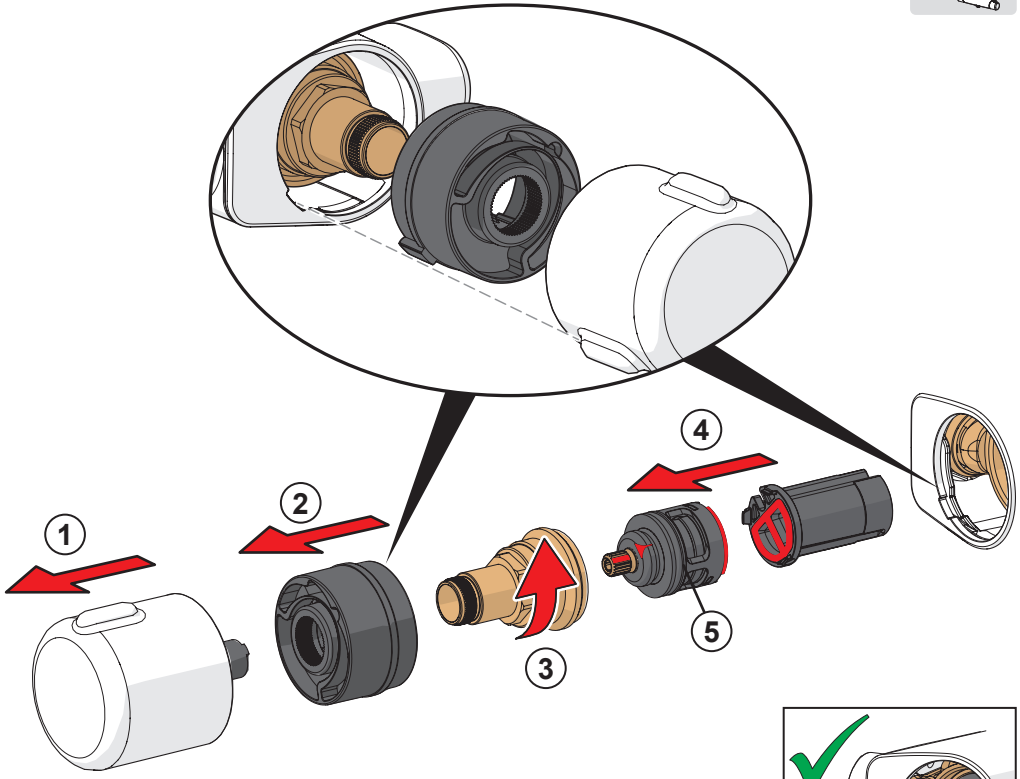
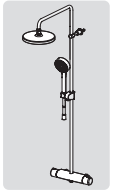
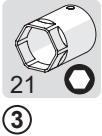
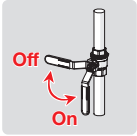
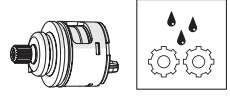


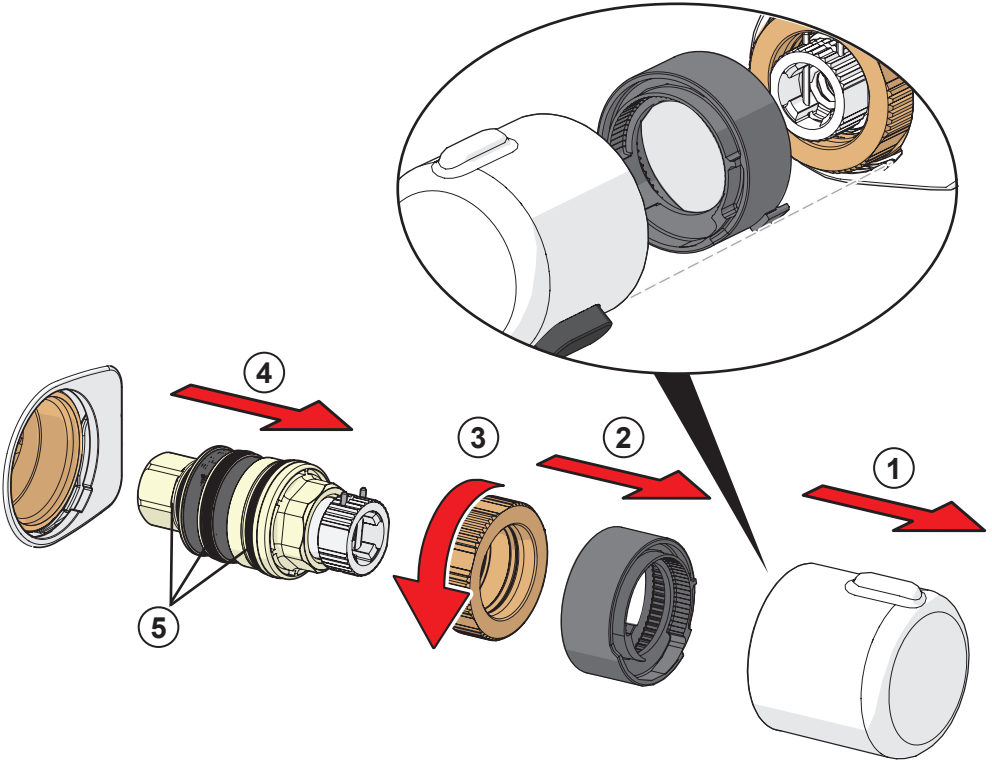
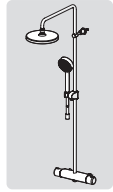
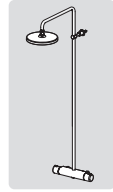
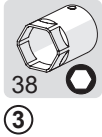
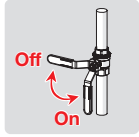
Max 65°C

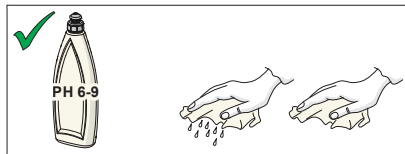
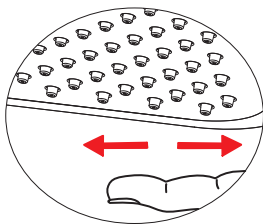
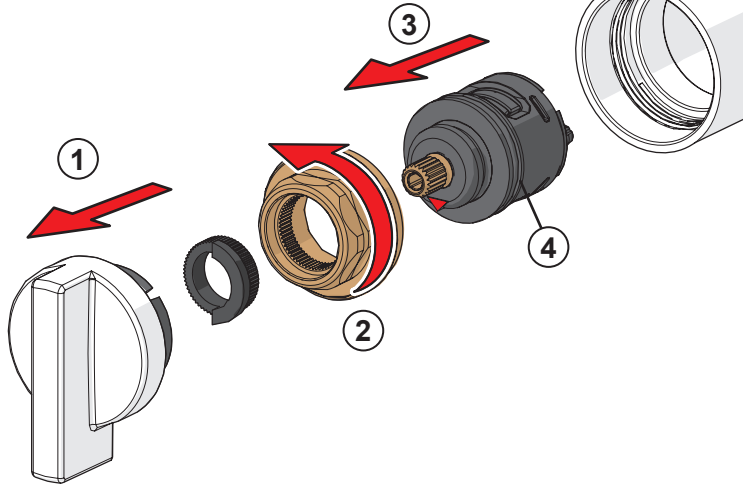
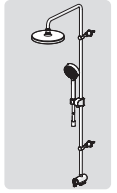
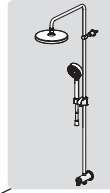
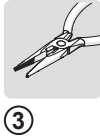
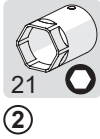
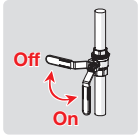












About Oras Group

Oras Group is a significant European provider of sanitary fittings: the market leader in the Nordics and a leading company in Continental Europe.

The company's mission is to create the smartest water experiences for everyone and its vision is to become the Perfect Flow Company.

The Group has two strong brands, Oras and Hansa. Oras Group is owned by Oras Invest, a family company, and an industrial owner.

The domicile of Oras Ltd, the parent company of the Group, is located in Rauma, Finland, and the Group has three manufacturing sites: Kralovice (Czech Republic), Olesno (Poland) and Rauma (Finland).

The Group operates with its own staff in 17 markets. Oras Group's net sales were 233.5 million euros in 2021 and at the end of the period the company employed 1255 people.

HANSA Armaturen GmbH
P. O. BOX 81 02 40
D-70519 Stuttgart
Sigmaringer Strasse 107
D-70567 Stuttgart
Tel.: +49 711 16 14 0
Fax: +49 711 16 14 368
info@hansa.de
www.hansa.com



943423D-08-23