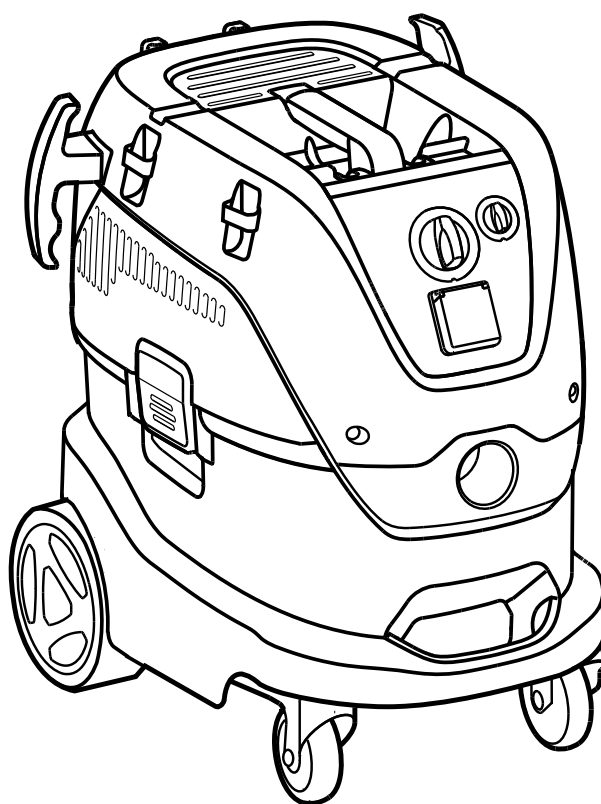
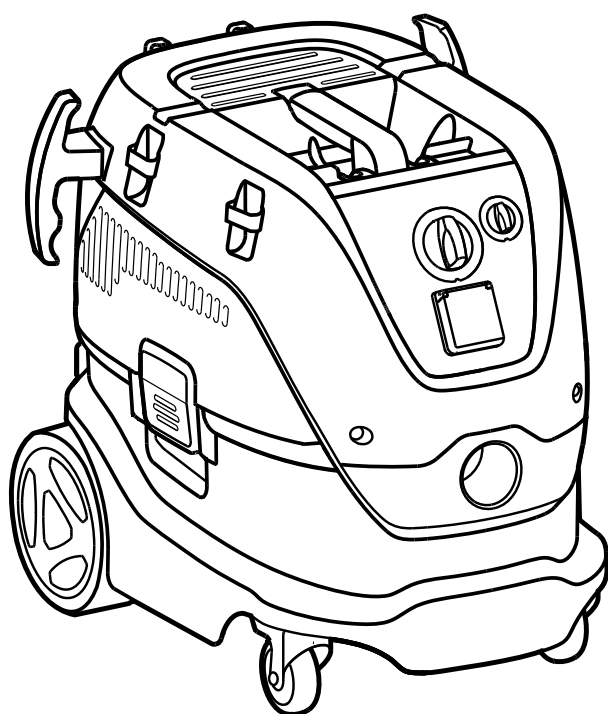
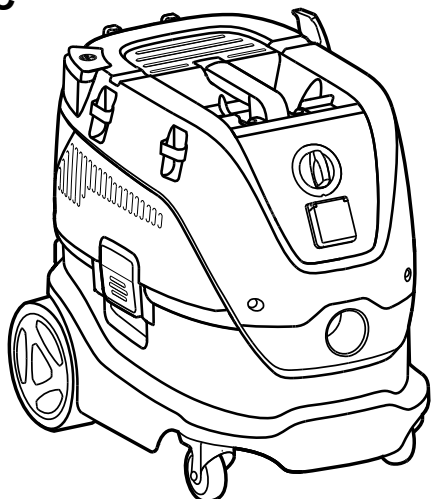


ATTIX 33 - ATTIX 44 - ATTIX 33L - ATTIX 44L - Instructions for use

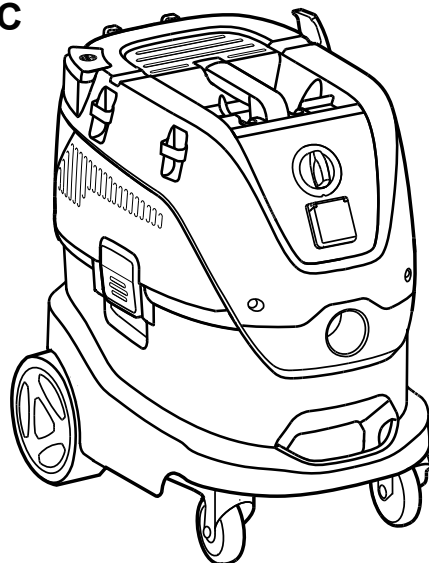


EN	Operating instructions	1
DE	Bedienungsanweisungen	10
FR	Instructions de fonctionnement	20
NL	Gebruiksaanwijzingen	30
IT	Istruzioni per l'uso	40
NO	Bruksanvisning	50
SV	Bruksanvisning	59
DA	Betjeningsvejledning	68
FI	Käyttöohje	77
ES	Instrucciones de funcionamiento	86
PT	Instruções de Funcionamento	96
EL	Οδηγίες λειτουργίας	106
TR	Kullanma Talimatları	117
SL	Navodila za delovanje	127
HR	Upute za uporabu	136
SK	Návod na obsluhu	145
CS	Návod k obsluze	155
PL	Instrukcje dotyczące obsługi	164
HU	Használati útmutató	174
RO	Instrucțiuni de utilizare	184
BG	Указания за експлоатация	194
RU	Руководство по эксплуатации	205
ET	Tööjuhised	216
LV	Norādījumi par ekspluatāciju	225
LT	Naudojimo instrukcija	234
JA	作手順.....	244
ZH	操作说明	253
KO	사용법.....	261
TH	คำแนะนำการใช้งาน	270
MS	Arahan Operasi.....	279

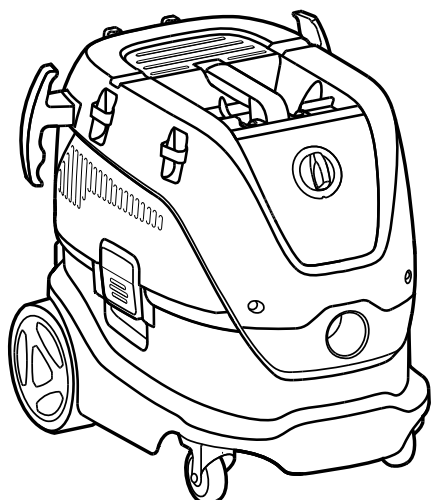
33-21 PC
33-2L PC



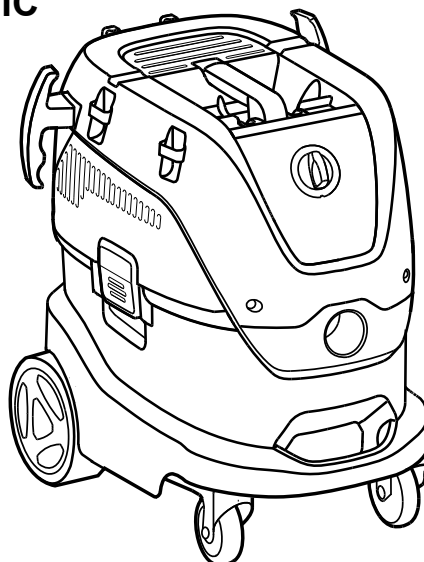
44-21 PC
44-2L PC



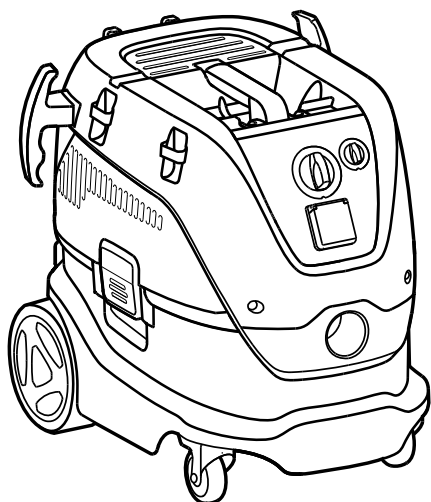
33-01 IC



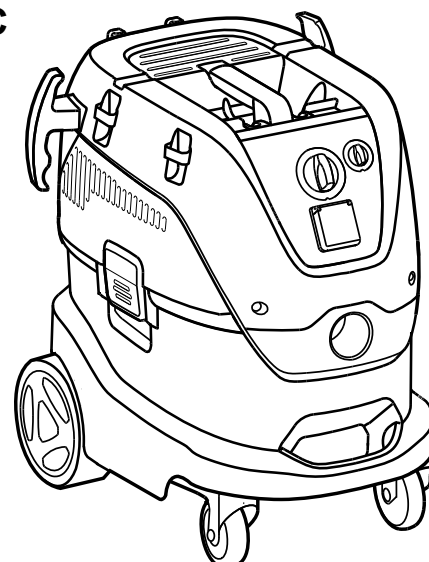
44-01 IC



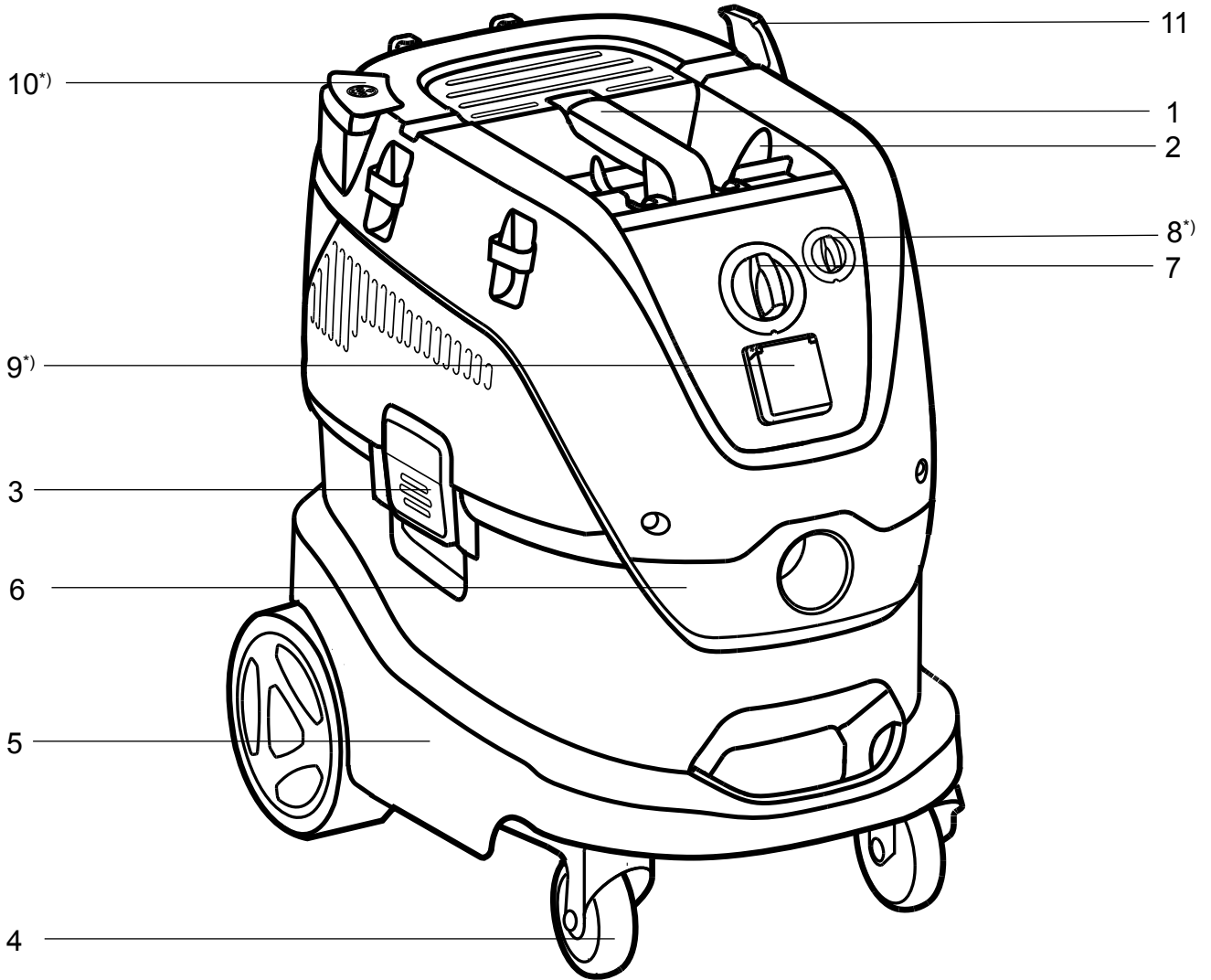
33-21 IC
33-2L IC



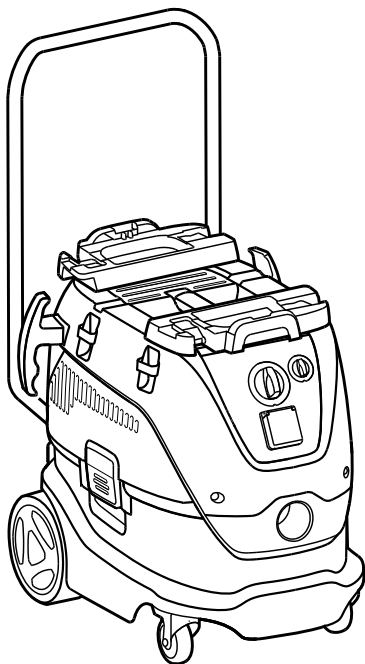
44-21 IC
44-2L IC



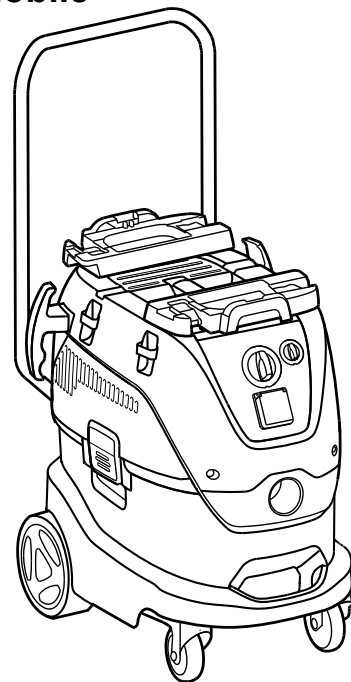
Operating elements



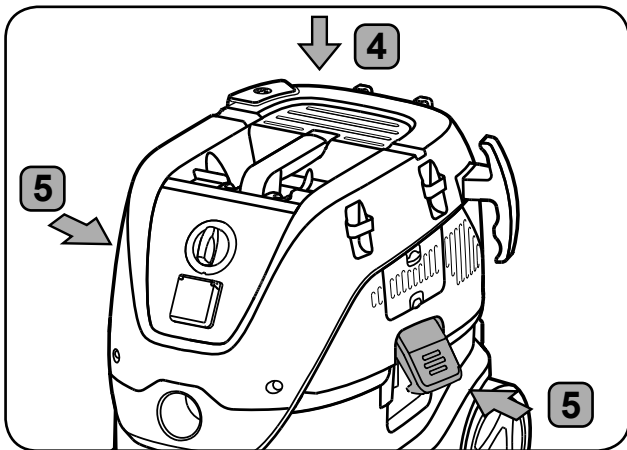
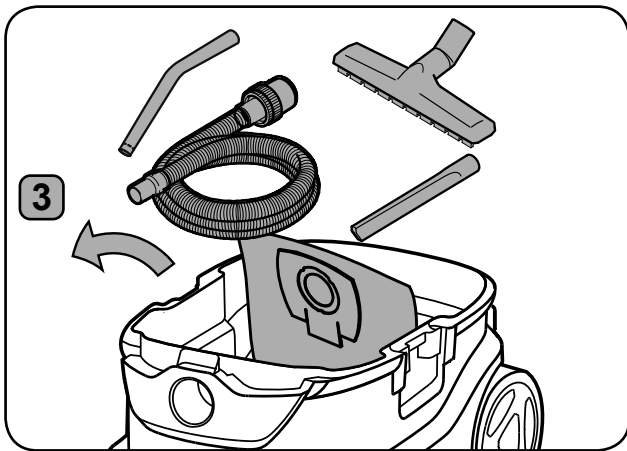
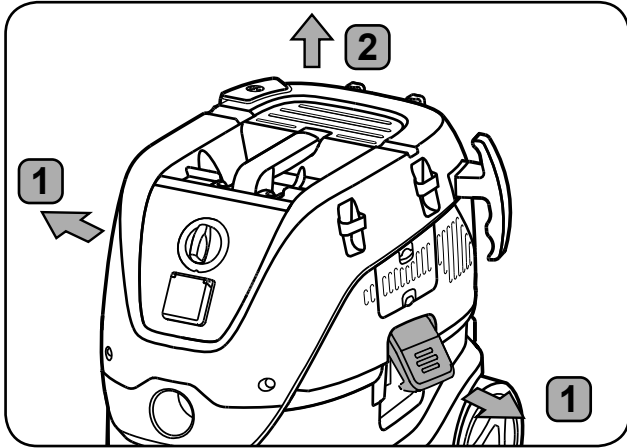
33-21 IC Mobile
33-2L IC Mobile



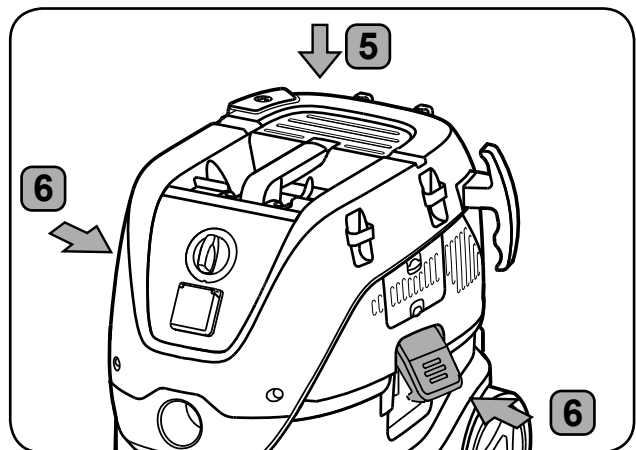
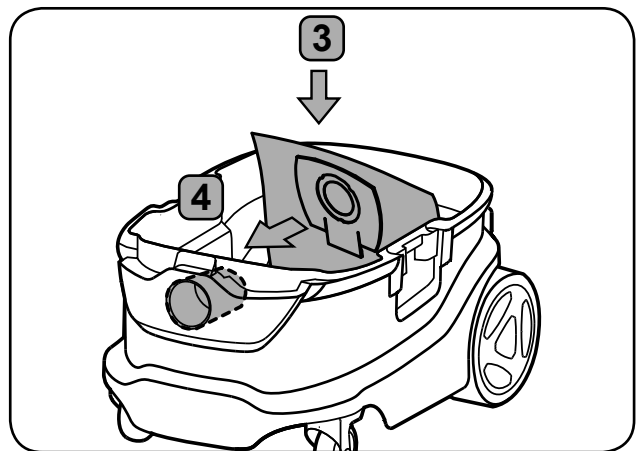
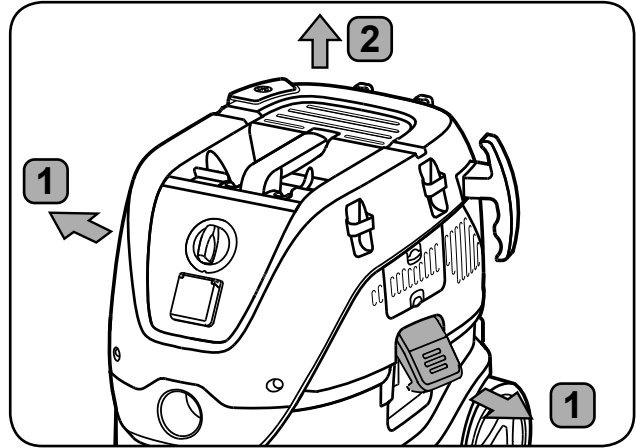
44-21 IC Mobile
44-2L IC Mobile



1A)



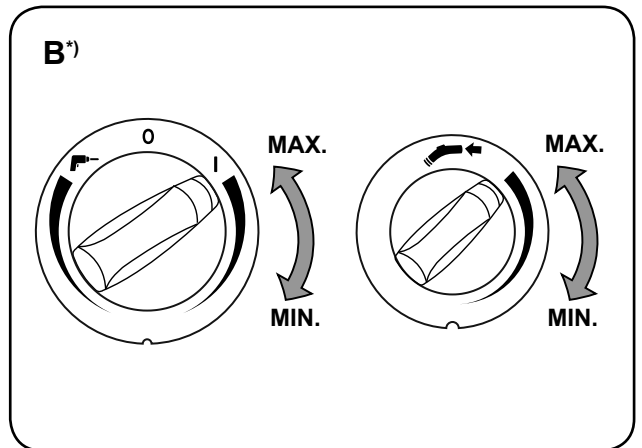
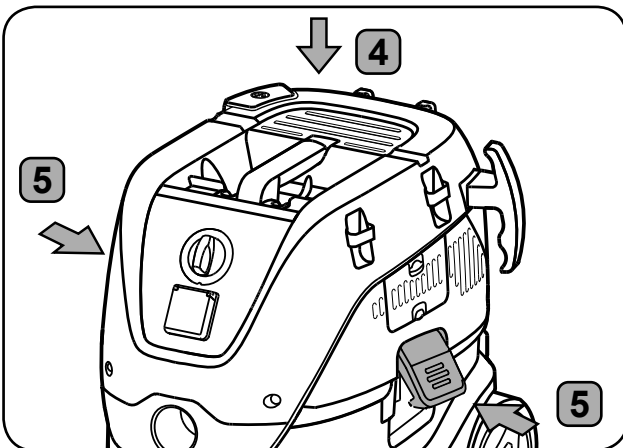
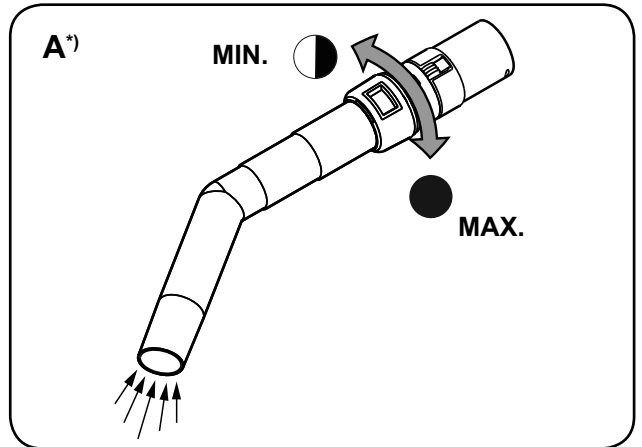
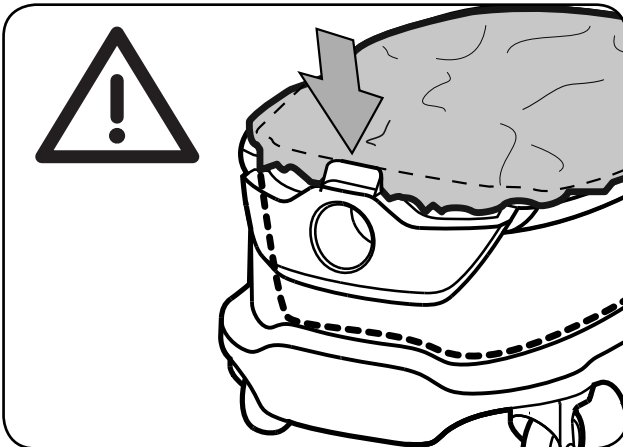
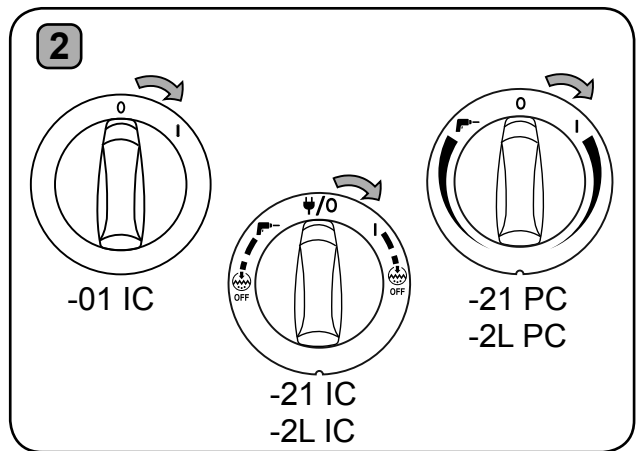
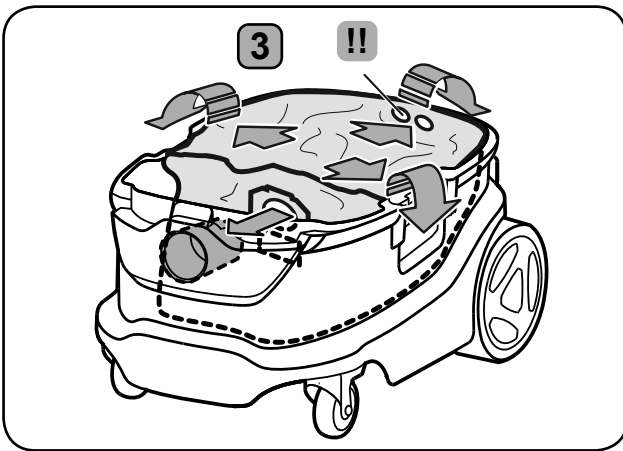
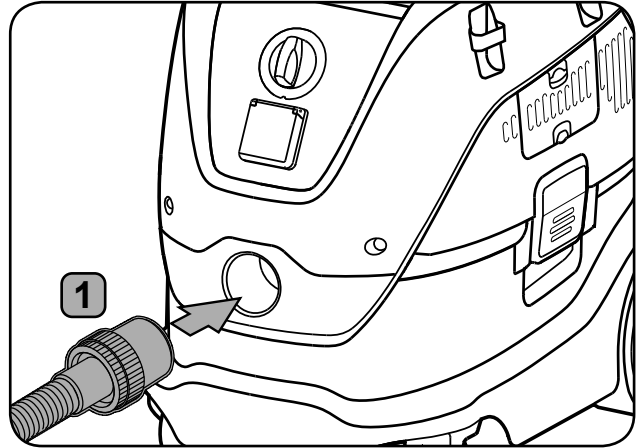
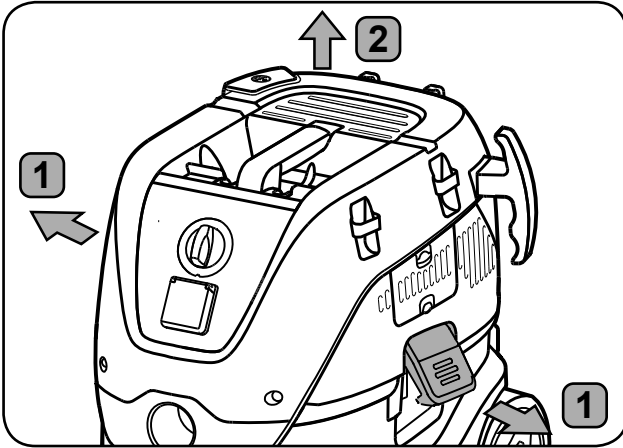
2A)



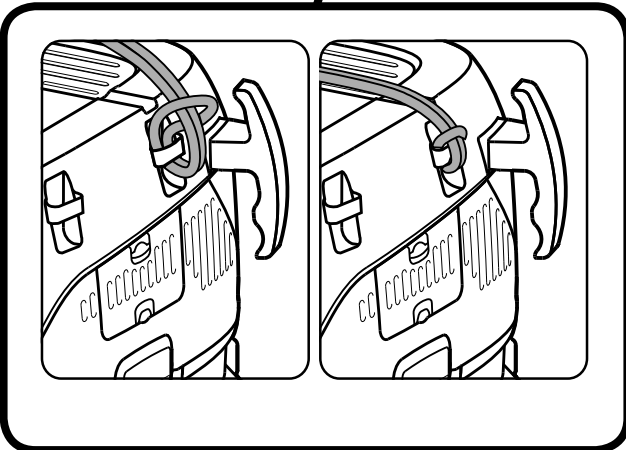
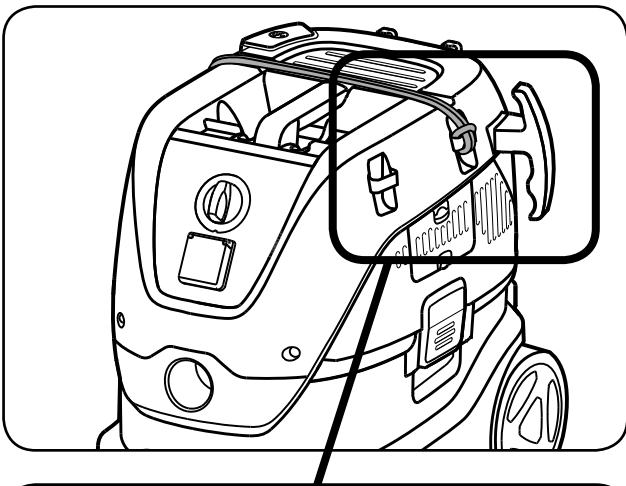
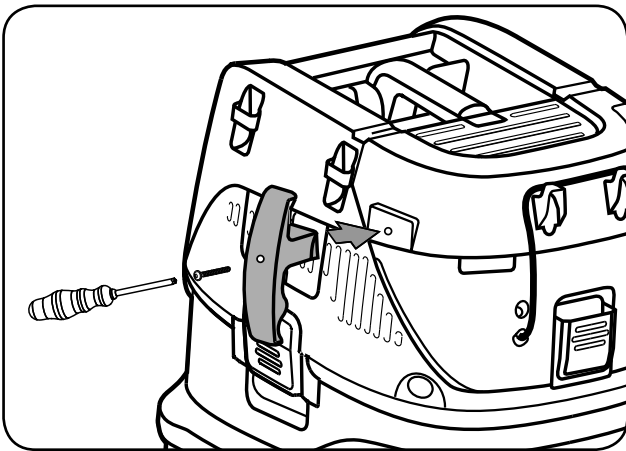
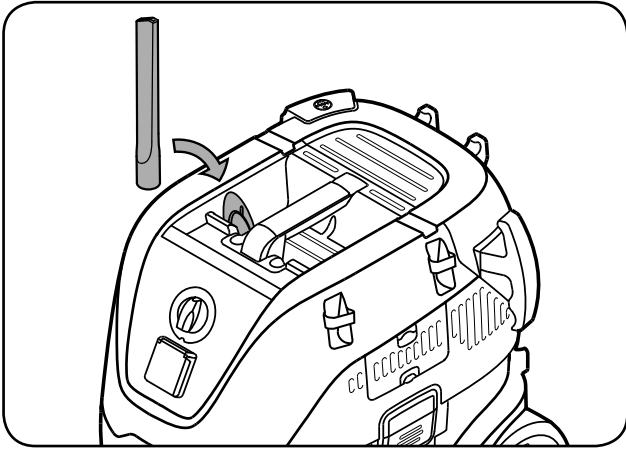
3A^{*)}



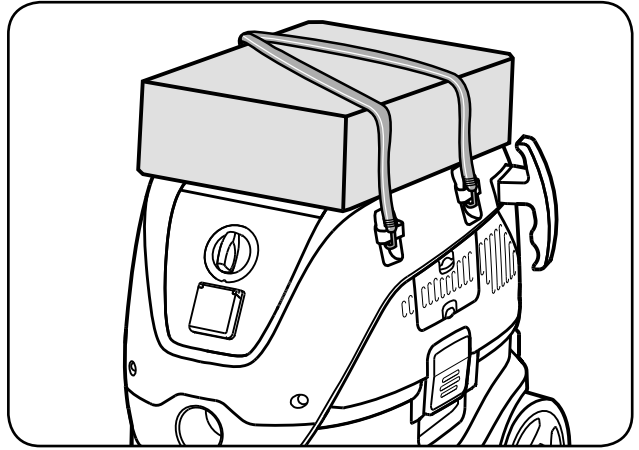
4A

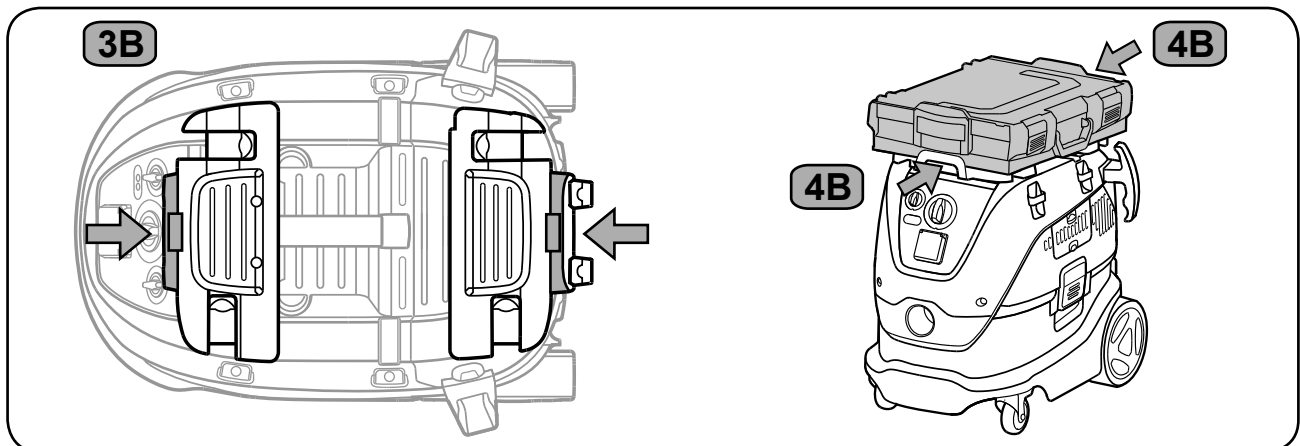
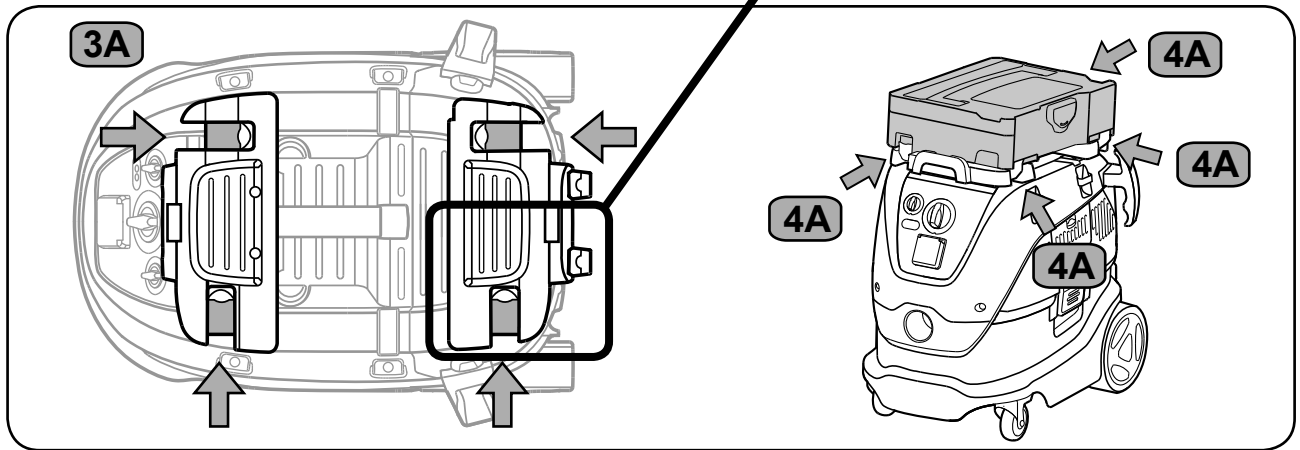
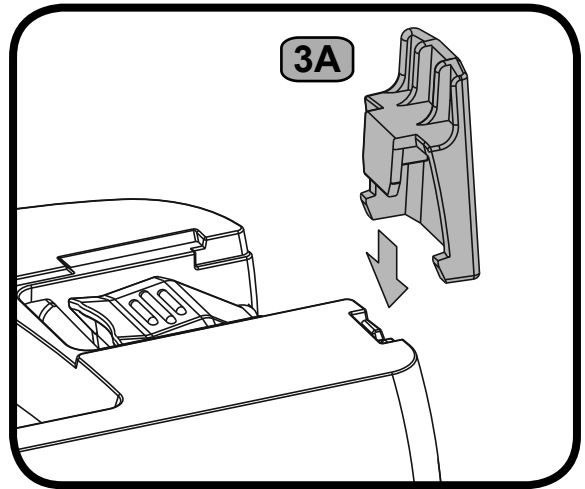
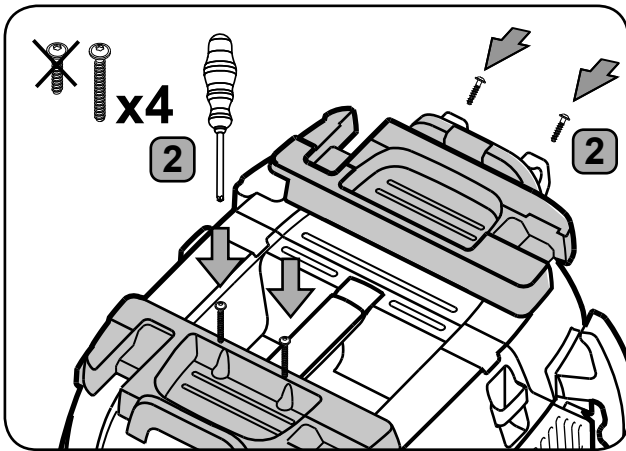
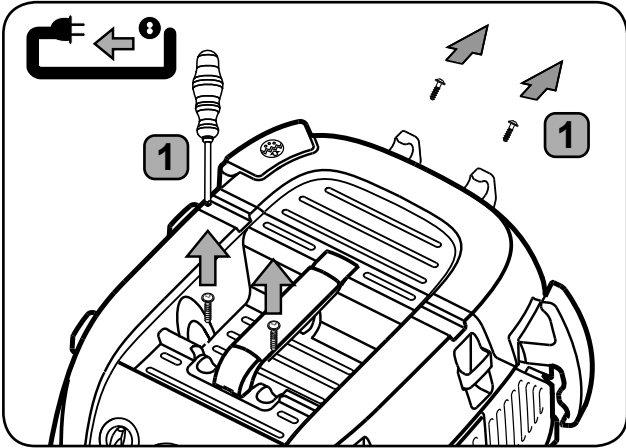


5A 1)

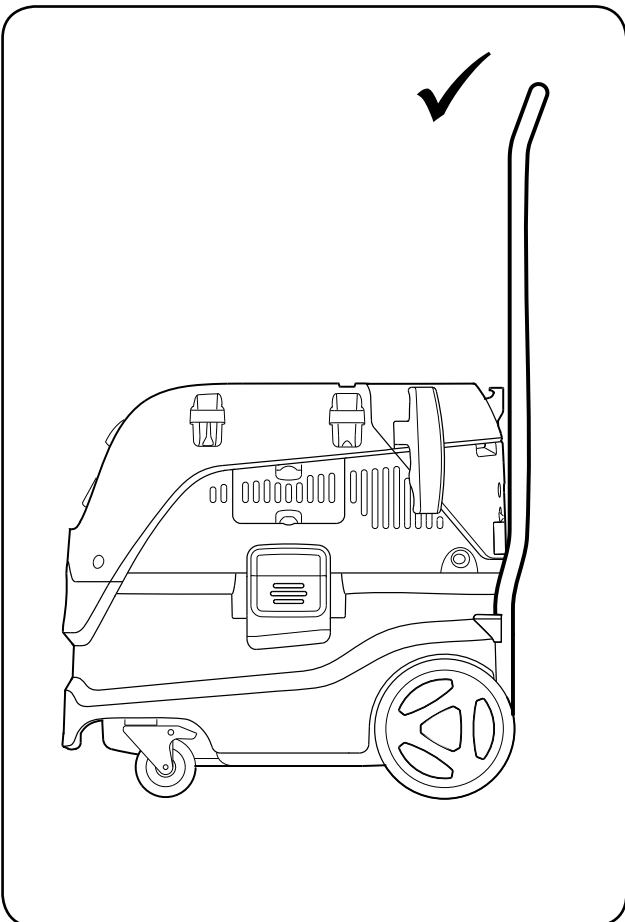
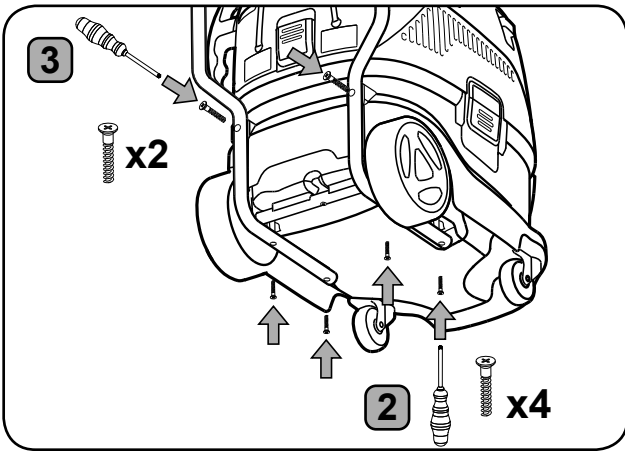
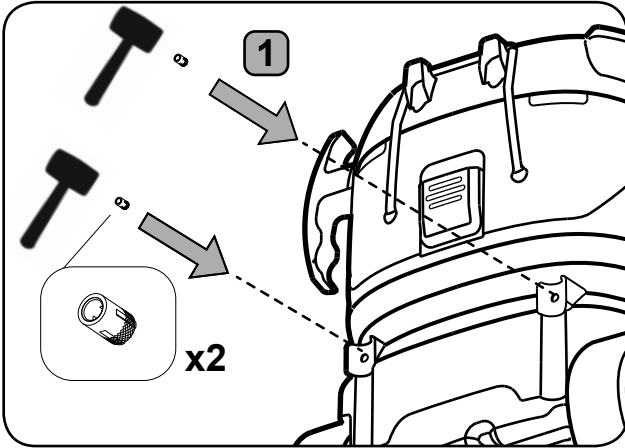


5A 1)

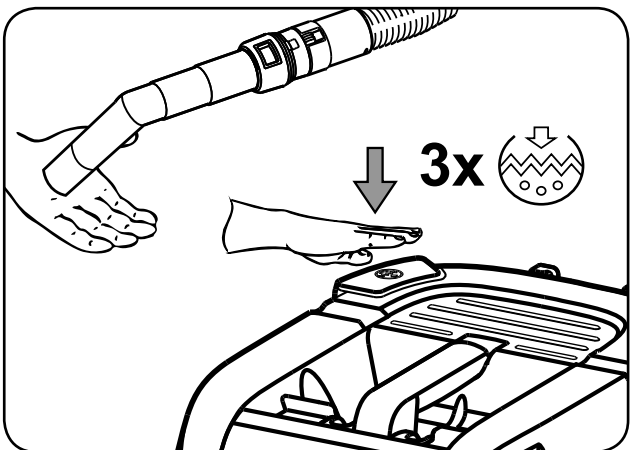
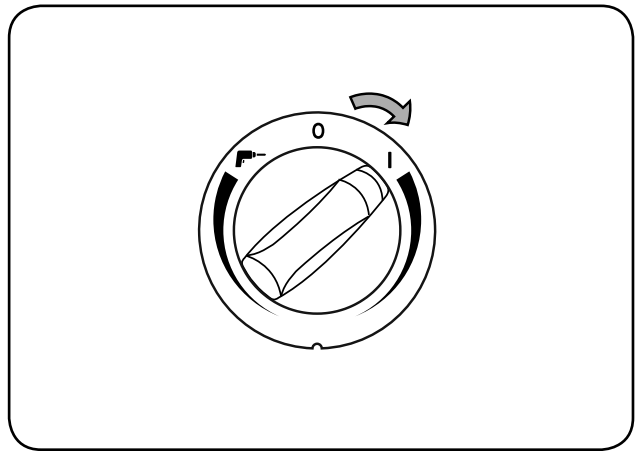
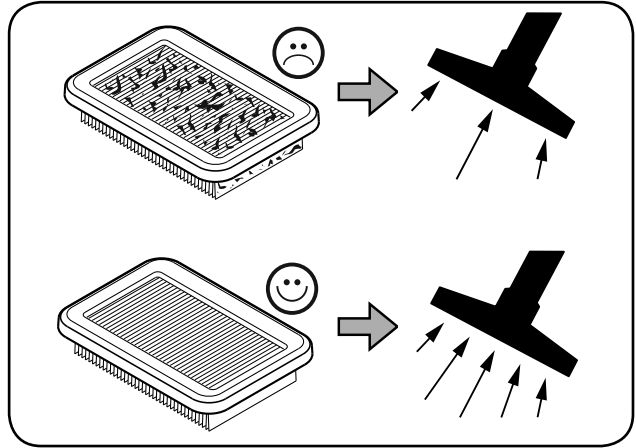




7A^{*)}

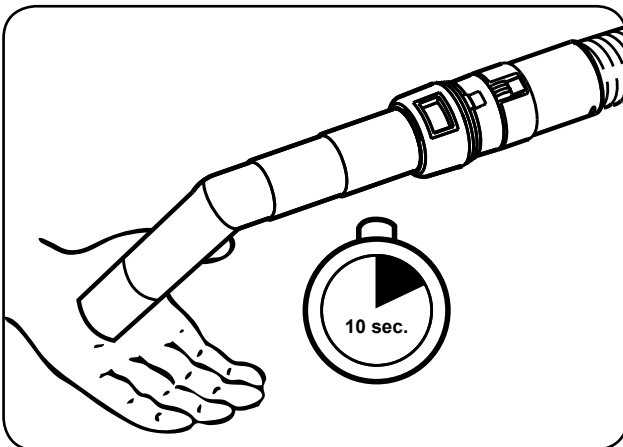
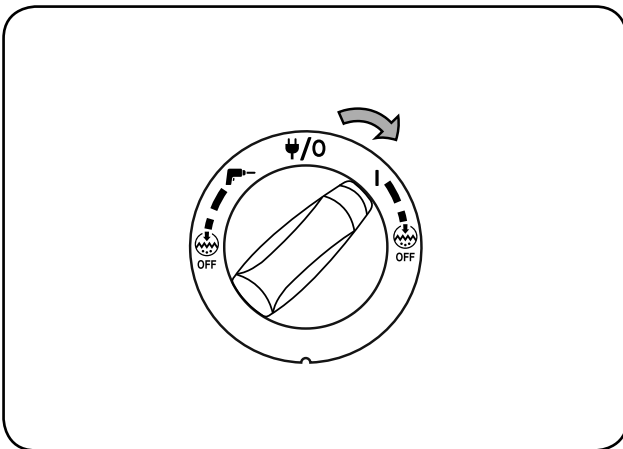
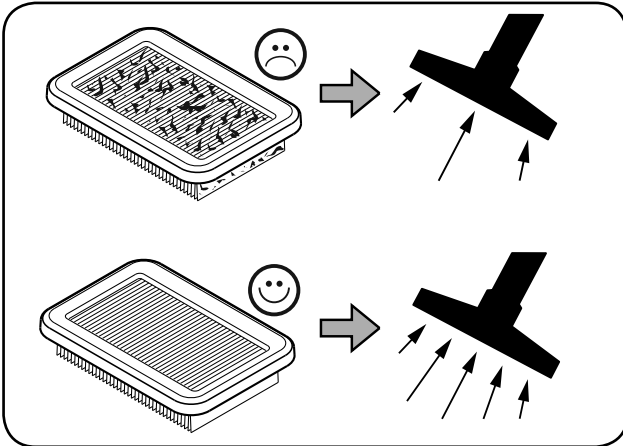


1B^{*)}



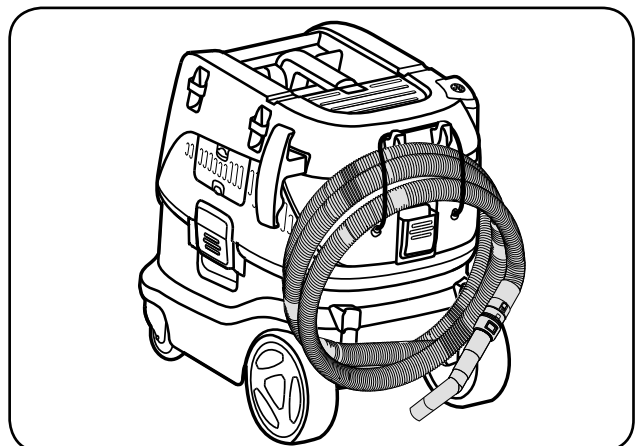
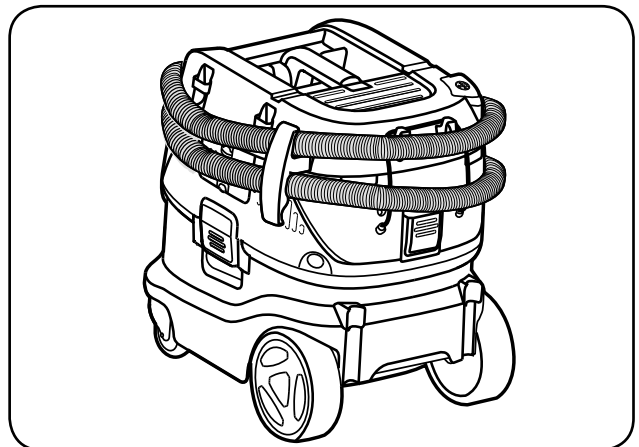
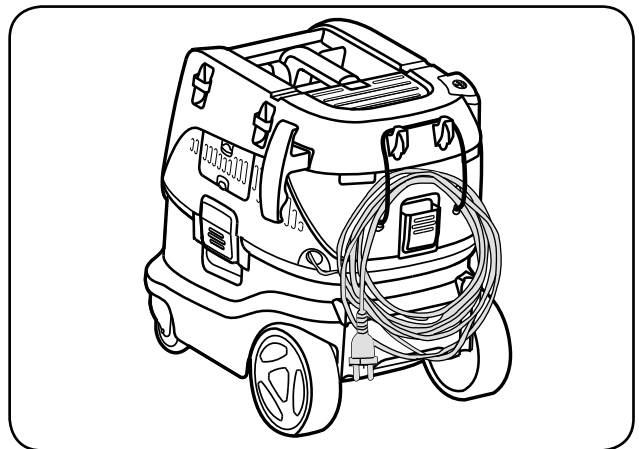
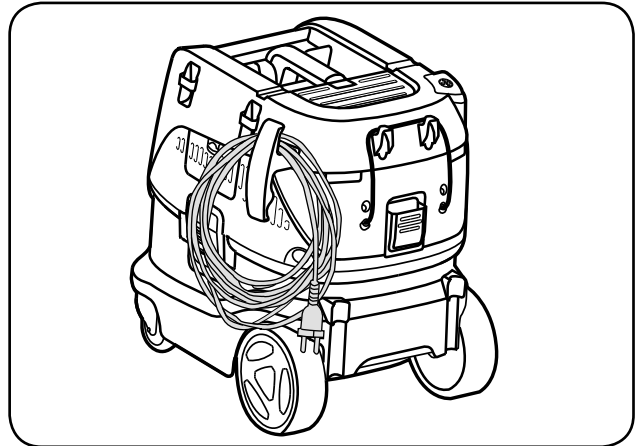
Push&Clean

2B¹⁾



InfiniClean

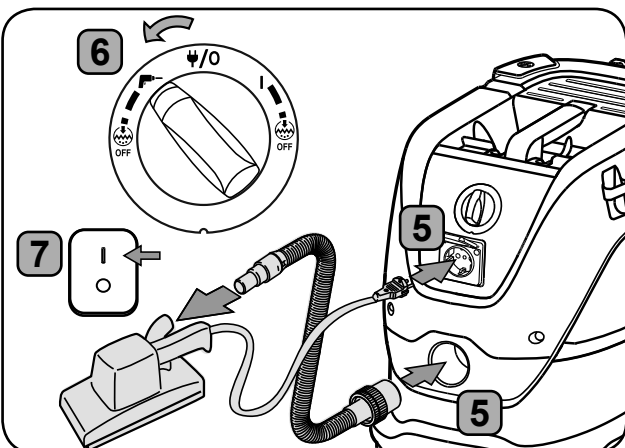
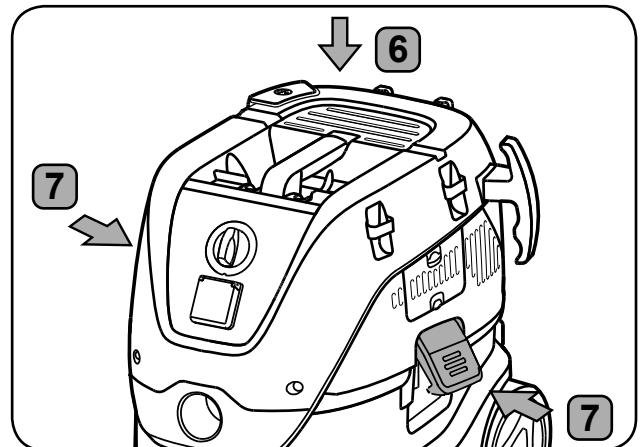
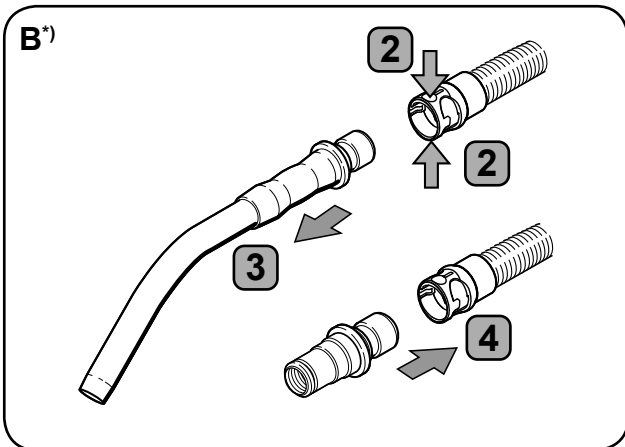
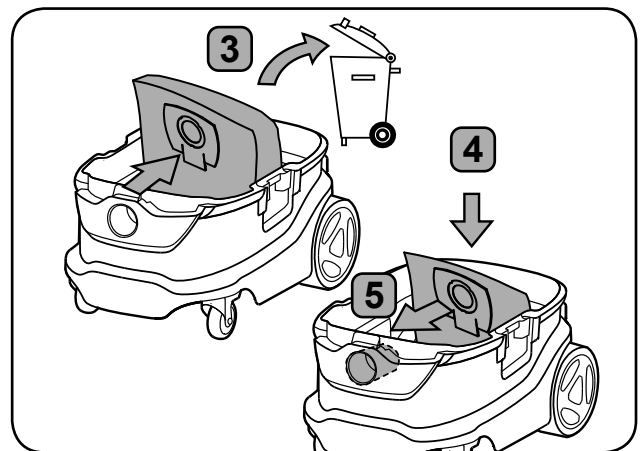
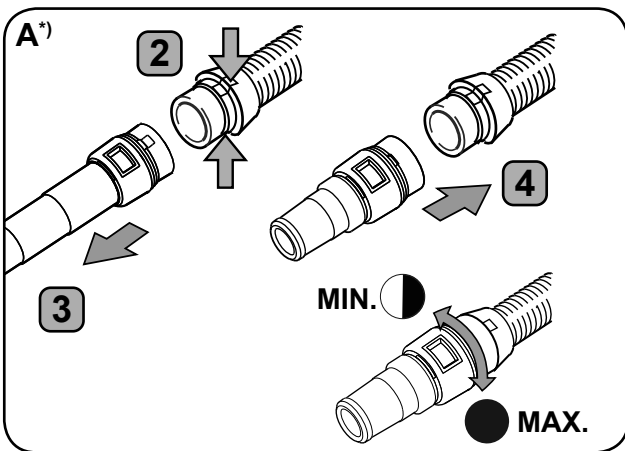
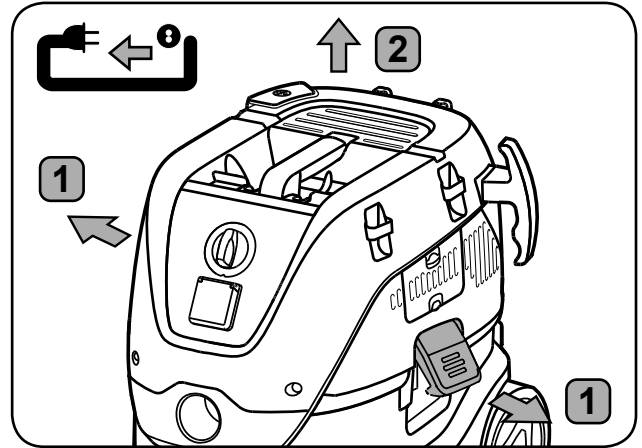
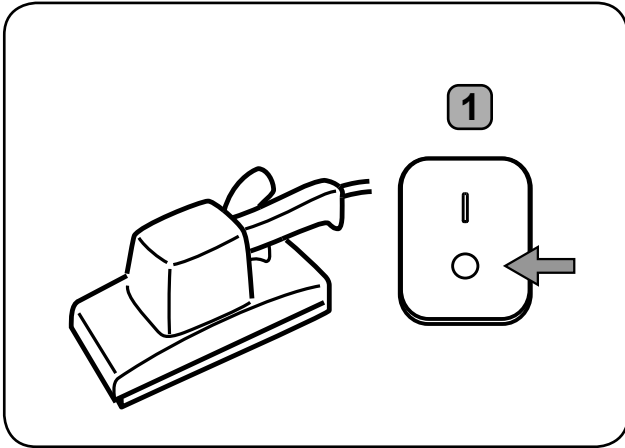
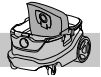
3B

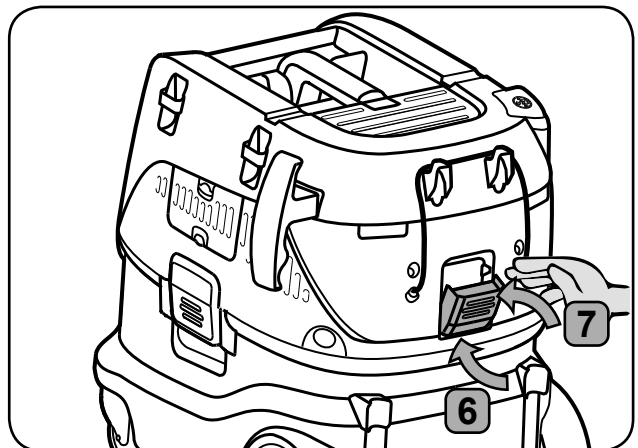
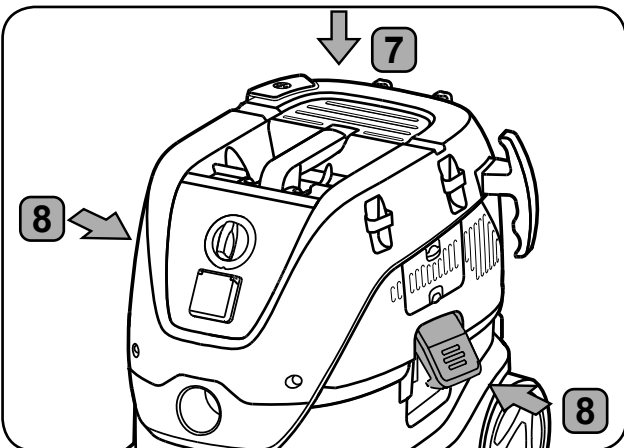
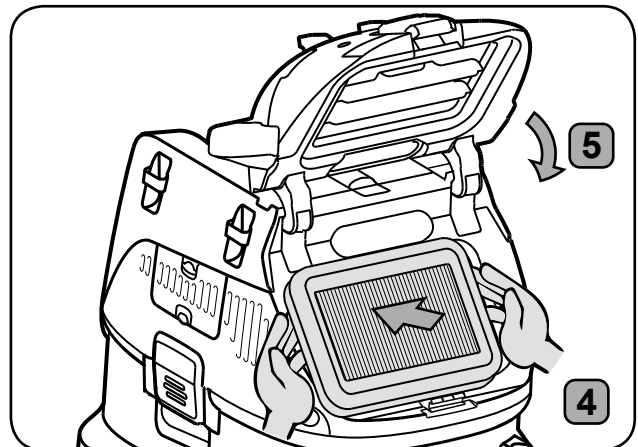
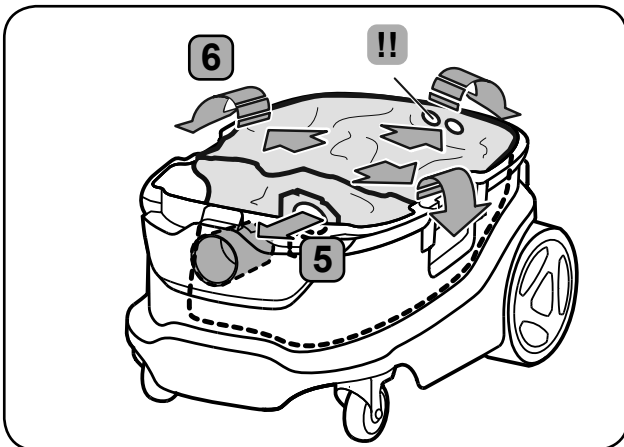
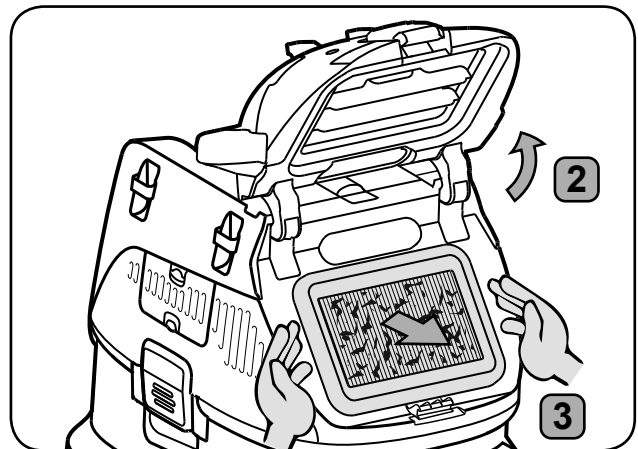
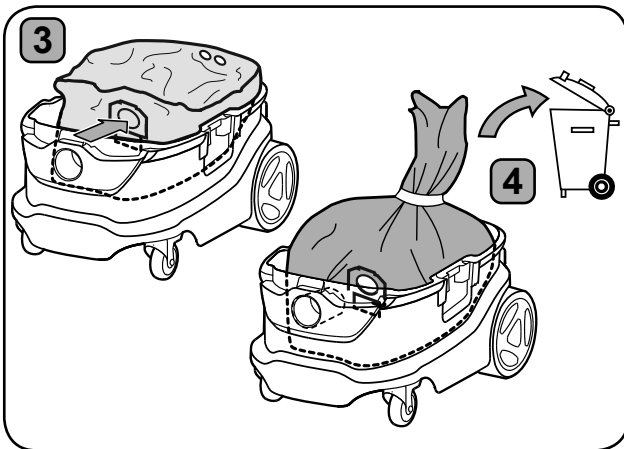
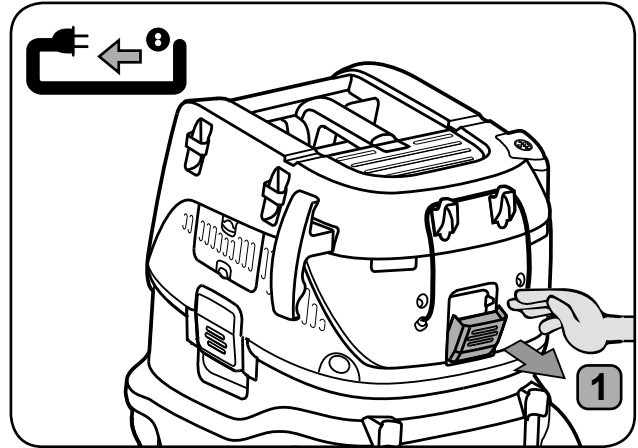
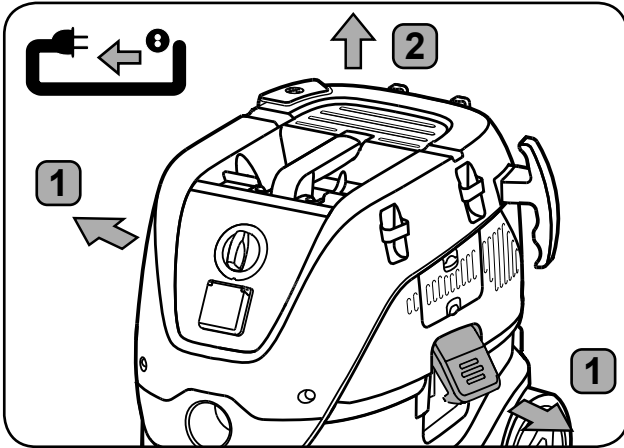
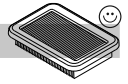


1C*)

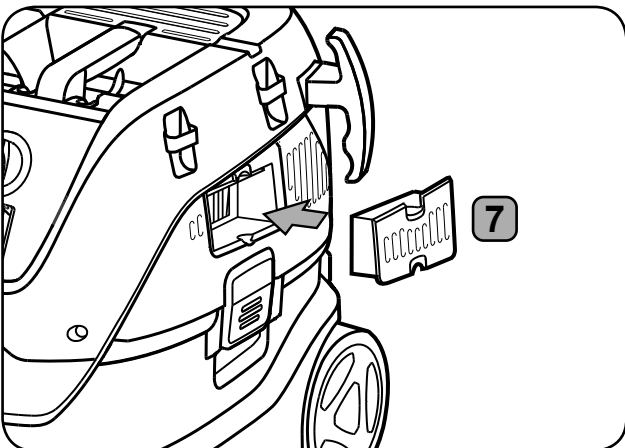
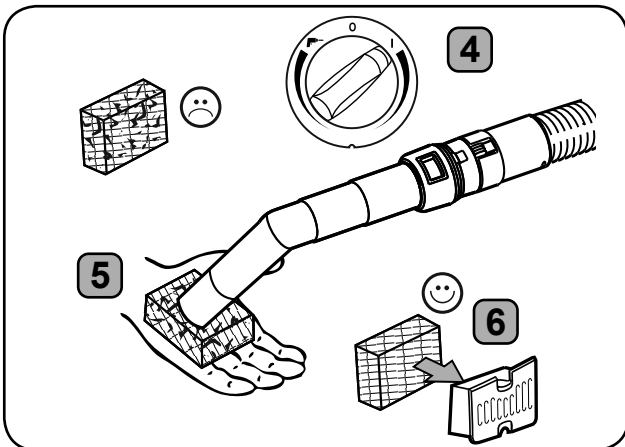
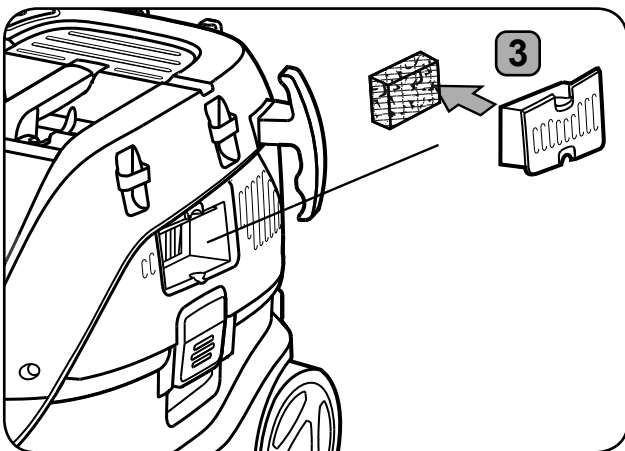
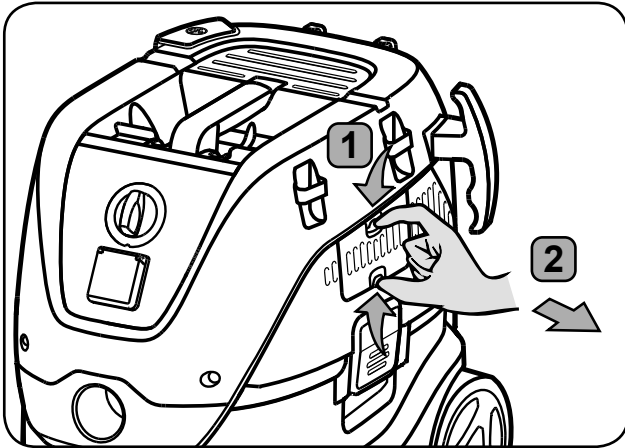


1D

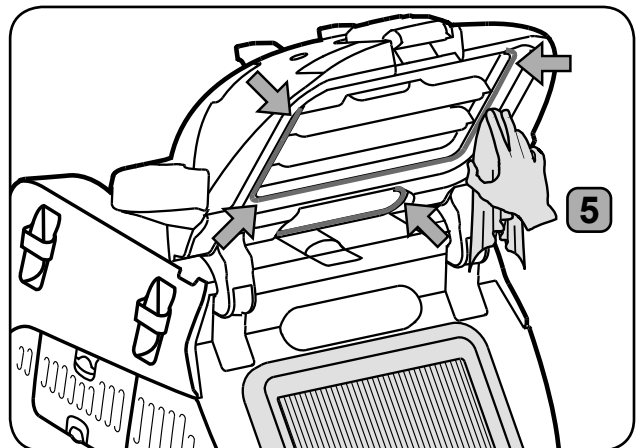
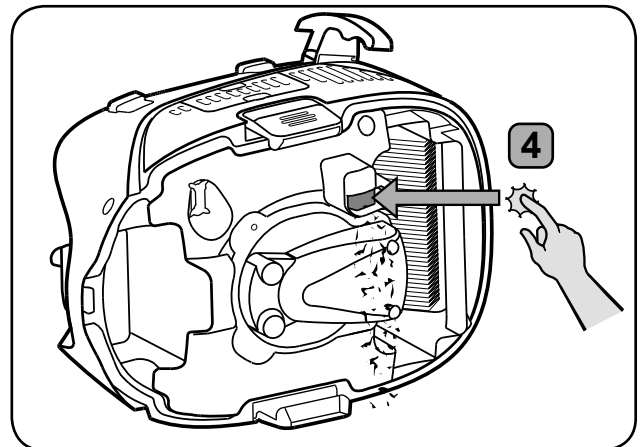
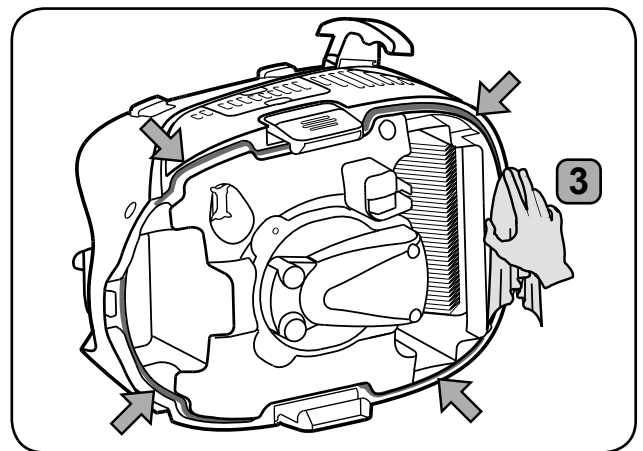
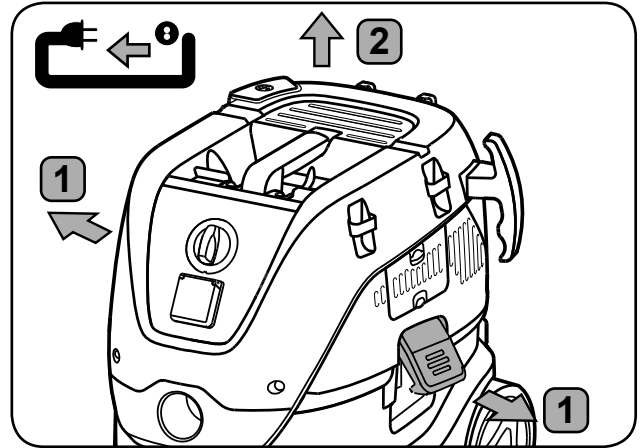


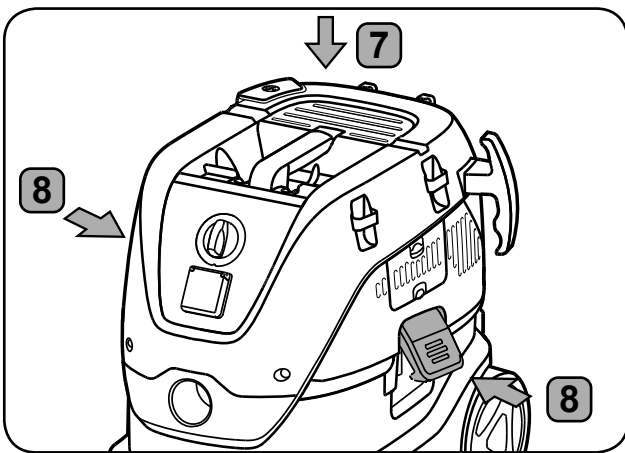
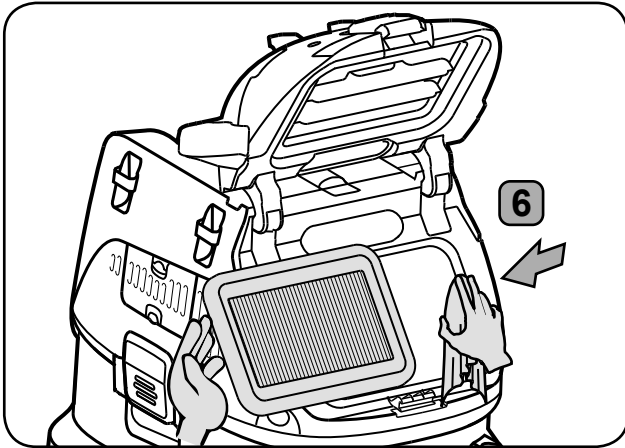
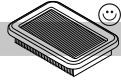


4D



5D





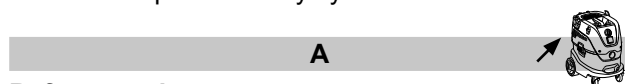
Quick reference guide

Operating elements:

1. Handle
2. Accessory positions
3. Latch
4. Castor
5. Container
6. Inlet fitting
7. Switch
8. Speed control*)
9. Appliance socket*)
10. Filter cleaning button (Push&Clean)*)
11. Hose hook

The pictorial quick reference guide

The pictorial quick reference guide is designed for helping you when starting up, operating and storing the unit. The guide are subdivided into 4 sections, which are represented by symbols:



Before starting

DO READ OPERATING INSTRUCTIONS BEFORE USE!

- 1A - Unpack accessories
- 2A - Filter bag installation
- 3A - Disposal bag installation
- 4A - Hose insert & operations
- 5A - Accessories placement
- 6A - Adaptor plate installation
- 7A - Trolley handle installation



Control/Operation

- 1B - Push&Clean filter cleaning system
- 2B - InfiniClean filter cleaning system
- 3B - Cable and hose storage



Connecting electrical appliances

- 1C - Power tool adaption



Maintenance:

- 1D - Filter bag replacement
- 2D - Disposal bag replacement
- 3D - Filter replacement
- 4D - Motor cooling air diffuser cleaning
- 5D - Gaskets and floater cleaning

Contents

1 Safety instructions	2
1.1 Symbols used to mark instructions	2
1.2 Instructions for use	2
1.3 Purpose and intended use	2
1.4 Electrical connection	2
1.5 Extension lead	2
1.6 Guarantee	3
1.7 Important warnings	3
2 Risks	4
2.1 Electrical components	4
2.2 Hazardous dust	5
2.3 Spare parts and accessories	5
2.4 In explosive or inflammable atmosphere ...	5
3 Control / Operation	5
3.1 Starting and operating of the machine	5
3.2 Auto-On/Off socket outlet for power tools ¹⁾	6
3.3 Push&Clean ¹⁾	6
3.4 InfiniClean ¹⁾	6
3.5 Antistatic connection ¹⁾	6
3.6 Cooling air filter	6
3.7 Wet pick-up	6
3.8 Dry pick-up	7
4 After using the machine	7
4.1 After use	7
4.2 Transport	7
4.3 Storage	7
4.4 Accessory and tool storage	7
4.5 Recycling the machine	7
5 Maintenance	7
5.1 Regular servicing and inspection	7
5.2 Maintenance	8
6 Further information	8
6.1 EU Declaration of conformity	8
6.2 Specifications	9

¹⁾OEL=Occupational Exposure Limit, ¹⁾Optional accessories / Option depending on model
Original instruction

1 Safety instructions



This document contains the safety information relevant for the appliance along with a quick reference guide. Before starting up your machine for the first time, this instruction manual must be read through carefully. Save the instructions for later use.

Further support

Further information on the appliance can be found on our web site at www.Nilfisk.com.

For further queries, please contact the Nilfisk service representative responsible for your country. See reverse of this document.

1.1 Symbols used to mark instructions

DANGER



Danger that leads directly to serious or irreversible injuries, or even death.

WARNING



Danger that can lead to serious injuries or even death.

CAUTION



Danger that can lead to minor injuries and damage.

1.2 Instructions for use

The appliance must:

- only be used by persons, who have been instructed in its correct usage and explicitly commissioned with the task of operating it
- only be operated under supervision
- This appliance is not intended for use by persons (including children) with reduced physical, sensory or mental capabilities, or lack of experience and knowledge.
- Children shall be supervised to make sure that they do not play with the appliance.
- Do not use any unsafe work techniques.
- Never use the appliance without a filter.
- Switch off the appliance and disconnect the mains plug in the following situations:
 - Prior to cleaning and servicing
 - Prior to replacing components
 - Prior to changing over the appliance
 - If foam develops or liquid emerges

Besides the operating instructions and the binding accident prevention regulations valid in the country of use, observe recognised regulations for safety and proper use.

For Dust Class L machines (with type designation -0L, -2L) following applies:

Before starting work, the operating staff must be informed on and trained within:

- use of the machine

- risks associated with the material to be picked up
- safe disposal of the picked up material

1.3 Purpose and intended use

This mobile dust extractor is designed, developed and rigorously tested to function efficiently and safely when properly maintained and used in accordance with the following instructions.

This machine is intended for commercial use, for example in hotels, schools, hospitals, factories, shops, offices and rental businesses.

This machine is also suitable for industrial use, such as e.g. plants, construction sites and workshops. Accidents due to misuse can only be prevented by those using the machine.

READ AND FOLLOW ALL SAFETY INSTRUCTIONS.

The appliance is suitable for picking up dry, non-flammable dust and liquids.

Any other use is considered as improper use. The manufacturer accepts no liability for any damage resulting from such use. The risk for such use is borne solely by the user. Proper use also includes proper operation, servicing and repairs as specified by the manufacturer.

For Dust Class L machines (with type designation -0L, -2L) following applies:

The appliance is suitable for picking up dry, non-flammable dust and liquids, hazardous dusts with OEL¹⁾ value > 1mg/m³.

Dust Class L (IEC 60335-2-69).

The dusts which belong to this class have OEL¹⁾ values > 1mg/m³.



For machines intended for the Dust Class L, the filter material is tested. The maximum degree of permeability is 1% and there is no special requirement for disposal.

For dust extractors, ensure adequate air change rate L, when the exhaust air is returned to the room. Observe national regulations before use.

1.4 Electrical connection

- It is recommended that the machine should be connected via a residual current circuit breaker.
- Arrange the electrical parts (sockets, plugs and couplings) and lay down the extension lead so that the protection class is maintained.
- Connectors and couplings of power supply cords and extension leads must be watertight.

1.5 Extension lead

1. As an extension lead, only use the version specified by the manufacturer or one of a higher quality.

2. When using an extension lead, check the minimum cross-sections of the cable:

Cable length	Cross section	
	< 16 A	< 25 A
up to 20 m	1.5 mm ²	2.5 mm ²
20 to 50 m	2.5 mm ²	4.0 mm ²

1.6 Guarantee

Our general conditions of business are applicable with regard to the guarantee.

Unauthorised modifications to the appliance, the use of incorrect brushes in addition to using the appliance in a way other than for the intended purpose exempt the manufacturer from any liability for the resulting damage.

1.7 Important warnings

WARNING



- To reduce the risk of fire, electric shock, or injury, please read and follow all safety instructions and caution markings before use. This machine is designed to be safe when used for cleaning functions as specified. Should damage occur to electrical or mechanical parts, the machine and / or accessory should be repaired by a competent service center or the manufacturer before use in order to avoid further damage to the machine or physical injury to the user.
- Do not leave the machine when it is plugged in. Unplug from the socket when not in use and before maintenance.
- Outdoor use of the appliance shall be limited to occasional use.
- Do not use with damaged cord or plug. To unplug grasp the plug, not the cord. Do not handle plug or machine with wet hands. Turn off all controls before unplugging.
- Do not pull or carry by cord, use cord as a handle, close a door on cord, or pull cord around sharp edges or corners. Do not run machine over cord. Keep cord away from heated surfaces.
- Keep hair, loose clothing, fingers and all parts of the body away from openings and moving parts. Do not put any objects into openings or use with opening blocked. Keep openings free of dust, lint, hair, and anything else that could reduce the flow of air.
- Do not use in outside areas at low temperature.
- Do not use to pick up flammable or combustible liquids such as gasoline, or use in areas where they may be present.
- Do not pick up anything

that is burning or smoking, such as cigarettes, matches or hot ashes.

- Use extra care when cleaning on stairs.
- Do not use unless filters are fitted.
- If the machine is not working properly or has been dropped, damaged, left outdoors, or dropped into water, return it to a service center or dealer.
- If foam or liquid escapes from the machine, switch off immediately.
- The machine may not be used as a water pump. The machine is intended for vacuuming air and water mixtures.
- Connect the machine to a properly earthed mains supply. The socket outlet and the extension cable must have an operative protective conductor.
- Provide for good ventilation at the working place.
- Do not use the machine as a ladder or step ladder. The machine can tip over and become damaged. Danger of injury.
- For standard machines (with type designation -01, -21) following ap-


plies: This machine is not suitable for picking up hazardous dust.

- Only use the socket outlet on the machine for purposes specified in the instructions.


2 Risks

2.1 Electrical components

DANGER

-  The upper section of the machine contains live components. Contact with live components leads to serious or even fatal injuries. Never spray water on to the upper section of the machine.

DANGER


-  Electric shock due to faulty mains connecting lead. Touching a faulty mains connecting lead can result in serious or even fatal injuries.
- Do not damage the mains power lead (e.g. by driving over it, pulling or crushing it).
 - Regularly check whether the power cord is damaged or shows signs of ageing.
 - If the electric cable is damaged, it must be replaced by an authorized

Nilfisk distributor or similar qualified person in order to avoid a hazard.

- In no circumstances should the power supply cord be wrapped around fingers or any part of the operators person.

2.2 Hazardous dust

WARNING

 Hazardous materials. Vacuuming up hazardous materials can lead to serious or even fatal injuries. The following materials must not be picked up by the machine:


- hot materials (burning cigarettes, hot ash, etc.)
- flammable, explosive, aggressive liquids (e.g. petrol, solvents, acids, alkalis, etc.)
- flammable, explosive dust (e.g. magnesium or aluminium dust, etc.)

For standard machines (with type designation -01, -21) following further applies: The following materials must not be picked up by the machine:

- Hazardous dust.

2.3 Spare parts and accessories

CAUTION

 Spare parts and accessories. The use of non-genuine spare parts, brushes and accessories can impair the safety and or function of the appliance.


Only use original spare parts and accessories from

Nilfisk. Spare parts that can affect health and safety of the operator and or function of the appliance, are specified below:

Description	Order No.
Flat filter PTFE, 1 pcs.	107413540
Fleece filter bag, 5 pcs.	107413547
Disposal bag, 5 pcs.	107417821
Long Life filter bag, 1 pcs.	107413556
Motor cooling air filter PET, 1 pcs.	107413541


2.4 In explosive or inflammable atmosphere

CAUTION

 This machine is not suitable for use in explosive or inflammable atmospheres or where such atmospheres are likely to be produced by the presence of volatile liquid or inflammable gas or vapour.

3 Control / Operation

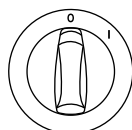
CAUTION

 Damage due to unsuitable mains voltage. The appliance can be damaged as a result of being connected to an unsuitable mains voltage.

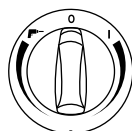
- Ensure that the voltage shown on the rating plate corresponds to the voltage of the local mains power supply.

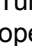
3.1 Starting and operating of the machine

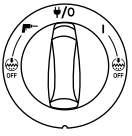
Check that the electrical switch is switched off (in position 0). Check that suitable filters are installed in the machine. Then connect the suction hose into the suction inlet at the machine by pushing the hose forward until it fits firmly in place at the inlet. Then connect the tubes with the hose handle, twist the tubes in order to ensure that they are properly fitted. Attach suitable nozzle to the tube. Choose nozzle depending on what type of material that is to be picked-up. If used for dust extraction in connection with dust producing tool then connect end of suction hose with appropriate adapter. Connect the plug into a proper electrical outlet. Put the electrical switch into position I in order to start the motor.



Turn I: Activate the machine
Turn 0: Stop the machine



Turn I: Activate the machine – turn clock wise for speed control
Turn 0: Stop the machine
Turn : Activate Auto-On/Off operation – turn counterclockwise for speed control.



Turn I: Activate the machine
 Turn $\Psi/0$: Stop the machine.
 Permanent power on socket.
 Turn P^- : Activate Auto-On/Off operation.
 Turn I+ P^- Off: Activate the machine with deactivated automatic filter cleaning function
 Turn $\text{P}^- + \text{P}^-$ Off: Activate Auto-On/Off operation with deactivated automatic filter cleaning function.
 Speed control operation on separate turning knob

3.2 Auto-On/Off socket outlet for power tools¹⁾

CAUTION



Appliance socket.*

The appliance socket is designed for electrical auxiliary equipment; see technical data for reference.

- Prior to plugging in an appliance, always switch off the machine and the appliance that is to be connected.
- Read the operating instructions to the appliance to be connected and observe the safety notes contained in these.

An appliance socket with earthing contact is integrated in the machine. An external power tool can be connected there. The socket features permanent power on, when the electrical switch is in position $\Psi/0$, i.e. the machine can be used as an extension cord. In position P^- the machine can be switched on and off by the power tool connected. Dirt is picked up from the source of dust immediately. To comply with regulations, only approved dust producing tools should be connected.

The maximum power consumption of the connected electrical appliance is stated in section "Specifications".

Before turning the switch to position P^- ensure that the tool connected to the appliance socket is switched off.

3.3 Push&Clean¹⁾

The "PC" machine is equipped with a semi automatic filter cleaning system, Push&Clean. The filter cleaning system must be actuated latest when the suction performance is no longer sufficient. Regular use of the filter cleaning feature maintains suction performance and increases the lifetime of the filter. For instruction see quick reference guide.

3.4 InfiniClean¹⁾

The "IC" machine is equipped with an automatic filter cleaning system, InfiniClean. A frequent cleaning cycle will automatically run during operation to ensure that suction performance is always at its best. If suction performance decreases or in extensive

dust applications a manually filter cleaning operation is recommended:

- Switch off the machine
- Close the nozzles or suction hose opening with the palm of your hand.
- Turn the switch to position „I“ and let the machine operate at full speed for approx. 10 seconds with the suction hose opening closed.

If suction power is still reduced take out the filter and clean mechanically or replace filter.

For certain applications, like wet pick up, it is recommended to turn off the automatic filter cleaning system. For details see chapter 3.1.

3.5 Antistatic connection¹⁾

CAUTION



The machine is equipped with an antistatic system to discharge any static electricity that may develop during dust pick-up.

The antistatic system is placed in front part of the motor top and creates an earth ground connection to the inlet fitting of the container. For proper function the use of an electrical conductive or antistatic suction hose is recommended. When inserting the optional disposal bag make sure the antistatic connection is kept.

3.6 Cooling air filter

To protect the electronics and motor, the machine is equipped with a cooling air diffusor. Clean the cooling air diffusor regularly.

For areas with a high concentration of fine dust in the surrounding air it is recommended to equip the machine with an optional cooling air filter cartridge to prevent dust from settling inside the air channels and motor. Contact your local sales representative.

CAUTION



If cooling air filter is clogged by dust the overload protection switch in the motor can be activated. In such case switch off the machine, clean cooling air filter and allow machine to cool for approx. 5 minutes.

3.7 Wet pick-up

CAUTION



The machine is equipped with a water level limit system which shuts off the machine when the maximum liquid level is reached.

When this occurs, switch off the machine.

Disconnect the machine from the socket and empty the container. Never pick up liquids without the water level limit system and filter in place.

Picking up liquids.

- Do not pick up flammable liquids
- Before liquids are picked up, always remove the filter bag/wastebag and check that the water level limit works properly.

- If foam appears, stop work immediately and empty the tank.
- Clean the water level limiting device regularly and check for signs of damage.

Before emptying the container, unplug the machine. Disconnect the hose from the inlet by pulling out the hose. Release the latch by pulling them outwards so that the motor top is released. Lift up the motor top from container. Always empty and clean the container and water level limit system after picking-up liquids.

Empty by tilting the container backwards or sideways and pour the liquids into a floor drain or similar. Put back the motor top to the container. Secure the motor top with the latches.

Heavy maneuvers can, by mistake, trigger the water level limiting device. Should this happen; turn off the machine and wait for 3 seconds to reset the device. Continue to operate the machine afterwards.

3.8 Dry pick-up

CAUTION



Picking up environmentally hazardous materials.

Materials picked up can present a hazard to the environment.

- Dispose of the dirt in accordance with legal regulations.

Remove the electrical plug from the socket before emptying after dry pick-up. Release the latch by pulling them outwards so that the motor top is released. Lift up the motor top from container. Filter: Check the filters. To clean the filter you can shake, brush or wash it. Wait until the filter is dry before re-starting dust pick-up. Dust bag: check bag to ensure the fill factor. Replace dust bag if necessary. Remove the old bag. The new bag is fitted by passing the cardboard piece with the rubber membrane through the vacuum inlet. Make sure that the rubber membrane is passing past the heightening at the vacuum inlet.

After emptying: close motor top to the container and secure the motor top with the latches. Never pick up dry material without filter fitted in the machine. The suction efficiency of the machine depends on the size and quality of the filter and dust bag. Therefore - use only Original filter and dust bags.

4 After using the machine

4.1 After use

Remove the plug from the socket when machine is not in use. Wind up the cord starting from the machine. The power cord can be wound up around the motor top or at the container or placed in the included hook, or fastening means. Some variants have special storage places for accessories.

4.2 Transport

- Before transporting the machine, close all the latches.
- Do not tilt the machine if there are liquids in the dirt tank.
- Do not use a crane hook to lift the machine.
- Do not lift the machine by the trolley handle *)

4.3 Storage

CAUTION



Store the appliance in a dry place, protected from rain and frost. The machine shall be stored indoors only.

4.4 Accessory and tool storage

For convenient transport and storage of accessories or tools, integrated rails are found on side of machine which allows fastening with straps or other means. A flexible strap and hooks are included on back of machine for attachment of suction hose or mains cable. For instruction see quick reference guide.

An optional adapter plate^{*)} with attachment system can be installed on top of machine for fastening of 2-point or 4-point storage cases.

Remove the electrical plug from the socket before installing the adapter plate.

CAUTION^{*)}



Do not lift machine in adapter plate without having storage case safely installed. Note the weight and balance of the appliance in case of storage. Maximum weight of storage cases is 30 kg.

4.5 Recycling the machine

Make the old machine unusable.

1. Unplug the machine.
2. Cut the power cord.
3. Do not discard of electrical appliances with household waste.



As specified in European Directive 2012/19/EU on old electrical and electronic appliances, used electrical goods must be collected separately and recycled ecologically.

5 Maintenance

5.1 Regular servicing and inspection

Regular servicing and inspection of your machine must be carried out by suitably qualified personnel in accordance with relevant legislation and regulations. In particular, electrical tests for earth continuity, insulation resistance, and condition of the flexible cord should be checked frequently.

In the event of any defect, the machine **MUST** be withdrawn from service, completely checked and repaired by an authorized service technician.

At least once a year, a Nilfisk technician or an instructed person must perform a technical inspection including filters, air tightness and control mechanisms.

5.2 Maintenance

Remove the plug from the socket before performing maintenance. Before using the machine make sure that the frequency and voltage shown on the rating plate correspond with the mains voltage.

The machine is designed for continuous heavy work. Depending on the number of running hours – the dust filter should be renewed. Keep the machine clean with a dry cloth, and a small amount of spray polish.

For Dust Class L machines (with type designation -0L, -2L) following applies:

During maintenance and cleaning, handle the machine in such a manner that there is no danger for maintenance staff or other persons.

In the maintenance area

- Use filtered compulsory ventilation
- Wear protective clothing
- Clean the maintenance area so that no harmful substances get into the surroundings.

During maintenance and repair work all contaminated parts that could not be cleaned satisfactorily must be:

- Packed in well sealed bags
- Disposed of in a manner that complies with valid regulations for such waste removal.

For details of after sales service contact your dealer or Nilfisk service representative responsible for your country. See reverse of this document.

6 Further information

6.1 EU Declaration of conformity

Nilfisk A/S
Kornmarksvej 1
DK-2605 Broendby
DENMARK

Hereby declare, that the
Product VAC - Commercial/Industrial - Wet/Dry
Description 220-240V; 100-120V; 1~, 50/60 Hz, IPX4
Type² ATTIX 33-**-**; ATTIX 44-**-**

Are in compliance with the following standards:

EN 60335-1:2012+A11:2014
EN 60335-2-69:2012
EN 55014-1:2006+A1:2009+A2:2011
EN 55014-2:1997+A1:2001+A2:2008
EN 61000-3-2:2014
EN 61000-3-3:2013
EN 50581:2012

Following the provisions of:
Machinery Directive 2006/42/EC
EMC Directive 2014/30/EC
RoHS Directive 2011/65/EC

Hadsund 21-04-2016



Anton Sørensen
Senior Vice President – Global R&D

²) First asterisk means feature class.
0 = Standard/Basic type; 2 = Auto on/off for power outlet.
Second asterisk means variants and special types (e.g. dust class). 1 = Standard, L = Dust Class L.
Third and fourth asterisk means filter cleaning options.
PC = Push&Clean; IC = InfiniClean

6.2 Specifications

		ATTIX 33, ATTIX 44																	
		EU, FR			DK/CH/AU/NZ			GB 230V			GB 110V			US			JP		
		33-01 IC	33-2L PC 33-2L IC	44-2L PC 44-2L IC	33-01 IC	33-2L PC 33-2L IC	44-2L PC 44-2L IC	33-01 IC	33-2L PC 33-2L IC	44-2L PC 44-2L IC	33-01 IC	33-2L PC 33-2L IC	44-2L PC 44-2L IC	33-01 IC	33-21 PC 33-21 IC	44-21 PC 44-21 IC	33-01 IC		
Possible voltage	V	220-240	220-240	220-240	220-240	220-240	220-240	220-240	220-240	220-240	220-240	220-240	220-240	110-120	110-120	110-120	110-120	100	
Power P _{IEC}	W HP	1200	1200	1200	1200	1200	1200	1200	1200	1200	1200	1200	1200	1000	890/7,4A 1,2	890/7,4A 1,2	1000	1200	
Connected load for appliance socket	W	-	2400	2400	-	1100	1100	-	1700	1700	-	750	1750	1750	550/4,6A	550/4,6A	-	-	
Mains frequency	Hz	50/60	50/60	50/60	50/60	50/60	50/60	50/60	50/60	50/60	50/60	50/60	50/60	50/60	50/60	50/60	50/60	50/60	
Fuse	A	16	16	16	10	10	10	10	13	13	13	16	25	16	25	15	15	15	12
Protection grade (moist, dust)		IPX4																	
Protection class (electrical)		I																	
Max. Airflow*	l/s m ³ /h CFM	75 270 159												70 252 148			70 252 148		
Max. Vacuum	kPa hPa in _{H₂O}	25 250 100												23 230 92			25 250 100		
Sound pressure level L _{PA} (IEC 60335-2-69)	dB(A)	69 ± 2																	
Working sound level	dB(A)	60 ± 2																	
Vibration ISO 5349 a _h	m/s ²	≤ 2,5																	
Weight	kg lb	14,5 31,9	14,5 31,9	16 35,3	14,5 31,9	14,5 31,9	16 35,3	14,5 31,9	14,5 31,9	16 35,3	14,5 31,9	14,5 31,9	16 35,3	14,5 31,9	14,5 31,9	16 35,3	14,5 31,9	14,5 31,9	14,5 31,9
Filter surface area	m ²	0,5																	
Dust class		-	L	L	-	L	L	-	L	L	-	L	L	L	L	L	-	-	-

* measured at turbine

Specifications and details are subject to change without prior notice.



HEAD QUARTER

DENMARK

Nilfisk A/S
Kornmarksvej 1
DK-2605 Brøndby
Tel.: (+45) 4323 8100
www.nilfisk.com

SALES COMPANIES

ARGENTINA

Nilfisk srl.
Edificio Central Park
Herrera 1855, 6th floor/604
Ciudad de Buenos Aires
Tel.: (+54) 11 6091 1571
www.nilfisk.com.ar

AUSTRALIA

Nilfisk Pty Ltd
Unit 1/13 Bessemer Street
Blacktown NSW 2148
Tel.: (+61) 2 98348100
www.nilfisk.com.au

AUSTRIA

Nilfisk GmbH
Metzgerstrasse 68
5101 Bergheim bei Salzburg
Tel.: (+43) 662 456 400 90
www.nilfisk.at

BELGIUM

Nilfisk n.v.-s.a.
Riverside Business Park
Boulevard Internationalelaan 55
Bâtiment C3/C4 Gebouw
Bruxelles 1070
Tel.: (+32) 14 67 60 50
www.nilfisk.be

BRAZIL

Nilfisk do Brasil
Av. Eng. Luis Carlos Berrini, 550
40 Andar, Sala 03
SP - 04571-000 Sao Paulo
Tel.: (+11) 3959-0300 / 3945-4744
www.nilfisk.com.br

CANADA

Nilfisk Canada Company
240 Superior Boulevard
Mississauga, Ontario L5T 2L2
Tel.: (+1) 800-668-8400
www.nilfisk.ca

CHILE

Nilfisk S.A. (Comercial KCS Ltda)
Salar de Llamara 822
8320000 Santiago
Tel.: (+56) 2684 5000
www.nilfisk.cl

CHINA

Nilfisk
4189 Yindu Road
Xinzhuang Industrial Park
201108 Shanghai
Tel.: (+86) 21 3323 2000
www.nilfisk.cn

CZECH REPUBLIC

Nilfisk s.r.o.
VGP Park Horní Počernice
Do Čertous 1/2658
193 00 Praha 9
Tel.: (+420) 244 090 912
www.nilfisk.cz

DENMARK

Nilfisk Danmark A/S
Industrivej 1
Hadsund, DK-9560
Tel.: 72 18 21 20
www.nilfisk.dk

FINLAND

Nilfisk Oy Ab
Koskelontie 23 E
02920 Espoo
Tel.: (+358) 207 890 600
www.nilfisk.fi

FRANCE

Nilfisk SAS
26 Avenue de la Baltique
Villebon sur Yvette
91978 Courtabouef Cedex
Tel.: (+33) 169 59 87 00
www.nilfisk.fr

GERMANY

Nilfisk GmbH
Guido-Oberdorfer-Straße 2-10
89287 Bellenberg
Tel.: (+49) (0)7306/72-444
www.nilfisk.de

GREECE

Nilfisk A.E.
Αναπαύσεως 29
Κορωπί T.K. 194 00
Tel.: (30) 210 9119 600
www.nilfisk.gr

HOLLAND

Nilfisk B.V.
Versterkerstraat 5
1322 AN Almere
Tel.: (+31) 036 5460760
www.nilfisk.nl

HONG KONG

Nilfisk Ltd.
2001 HK Worsted Mills
Industrial Building
31-39, Wo Tong Tsui St.
Kwai Chung, N.T.
Tel.: (+852) 2427 5951
www.nilfisk.com

HUNGARY

Nilfisk Kft.
II. Rákóczi Ferenc út 10
2310 Szigetszentmiklós-Lakihegy
Tel.: (+36) 24 475 550
www.nilfisk.hu

INDIA

Nilfisk India Limited
Pramukh Plaza, 'B' Wing, 4th floor, Unit
No. 403
Cardinal Gracious Road, Chakala
Andheri (East) Mumbai 400 099
Tel.: (+91) 22 6118 8188
www.nilfisk.in

IRELAND

Nilfisk
1 Stokes Place
St. Stephen's Green
Dublin 2
Tel.: (+35) 3 12 94 38 38
www.nilfisk.ie

ITALY

Nilfisk SpA
Strada Comunale della Braglia, 18
26862 Guardamiglio (LO)
Tel.: (+39) (0) 377 414021
www.nilfisk.it

JAPAN

Nilfisk Inc.
1-6-6 Kita-shinyokohama, Kouhoku-ku
Yokohama, 223-0059
Tel.: (+81) 45548 2571
www.nilfisk.com

MALAYSIA

Nilfisk Sdn Bhd
Sd 33, Jalan KIP 10
Taman Perindustrian KIP
Sri Damansara
52200 Kuala Lumpur
Tel.: (60) 3603 627 43 120
www.nilfisk.com

MEXICO

Nilfisk de Mexico, S. de R.L. de C.V.
Pirineos #515 Int.
60-70 Microparque
Industrial WSantiago
76120 Queretaro
Tel.: (+52) (442) 427 77 00
www.nilfisk.com

NEW ZEALAND

Nilfisk Limited
Suite F, Building E
42 Tawa Drive
0632 Albany Auckland
Tel.: (+64) 9 414 1996
Website: www.nilfisk.com

NORWAY

Nilfisk AS
Bjørnerudveien 24
1266 Oslo
Tel.: (+47) 22 75 17 80
www.nilfisk.no

PERU

Nilfisk S.A.C.
Calle Boulevard 162, Of. 703, Lima 33-
Perú
Lima
Tel.: (511) 435-6840
www.nilfisk.com

POLAND

Nilfisk Sp. Z.O.O.
Millenium Logistic Park
ul. 3 Maja 8, Bud. B4
05-800 Pruszków
Tel.: (+48) 22 738 3750
www.nilfisk.pl

PORTUGAL

Nilfisk Lda.
Sintra Business Park
Zona Industrial Da Abrunheira
Edificio 1, 1° A
P2710-089 Sintra
Tel.: (+351) 21 911 2670
www.nilfisk.pt

RUSSIA

Nilfisk LLC
Vyatskaya str. 27, bld. 7/1st
127015 Moscow
Tel.: (+7) 495 783 9602
www.nilfisk.ru

SINGAPORE

Den-Sin
22 Tuas Avenue 2
639453 Singapore
Tel.: (+65) 6268 1006
www.densin.com

SLOVAKIA

Nilfisk s.r.o.
Bancíkovej 1/A
SK-821 03 Bratislava
Tel.: (+421) 910 222 928
www.nilfisk.sk

SOUTH AFRICA

WAP South Africa
12 Newton Street
Spartan 1630
Tel.: (+27) 11 975 7060
www.wap.com.za

SOUTH KOREA

Nilfisk Korea
3F Duksoo B/D, 317-15
Sungsoo-Dong 2Ga
Sungdong-Gu, Seoul
Tel.: (+82) 2497 8636
www.nilfisk.co.kr

SPAIN

Nilfisk S.A.
Torre d'Ara,
Passeig del Rengle, 5 Plta. 10ª
08302 Mataró
Tel.: (34) 93 741 2400
www.nilfisk.es

SWEDEN

Nilfisk AB
Taljegårdsgatan 4
431 53 Möndal
Tel.: (+46) 31 706 73 00
www.nilfisk.se

SWITZERLAND

Nilfisk AG
Ringstrasse 19
Kircheberg/Industri Stelz
9500 Wil
Tel.: (+41) 71 92 38 444
www.nilfisk.ch

TAIWAN

Nilfisk Ltd
Taiwan Branch (H.K)
No. 5, Wan Fang Road
Taipei
Tel.: (+88) 6227 00 22 68
www.nilfisk.tw

THAILAND

Nilfisk Co. Ltd.
89 Soi Chokechai-Ruammitr
Viphavadee-Rangsit Road
Ladyao, Jatuchak, Bangkok 10900
Tel.: (+66) 2275 5630
www.nilfisk.co.th

TURKEY

Nilfisk A.S.
Serifali Mh. Bayraktar Bulv. Sehit Sk. No:7
Ümraniye, 34775 Istanbul
Tel.: +90 216 466 94 94
www.nilfisk.com.tr

UNITED ARAB EMIRATES

Nilfisk Middle East Branch
SAIF-Zone
P.O. Box 122298
Sharjah
Tel.: (+971) (0) 655-78813
www.nilfisk.com

UNITED KINGDOM

Nilfisk Ltd.
Nilfisk House, Bowerbank Way
Gilwilly Industrial Estate, Penrith
Cumbria CA11 9BQ
Tel.: (+44) (0) 1768 868995
www.nilfisk.co.uk

UNITED STATES

Nilfisk, Inc.
9435 Winnetka Ave N,
Brooklyn Park
Minnesota MN- 55442
www.nilfisk.com

VIETNAM

Nilfisk Vietnam
No. 51 Doc Ngu Str.
P. Vinh Phúc, Q.Ba Dinh
Hanoi
Tel.: (+84) 761 5642
www.nilfisk.com