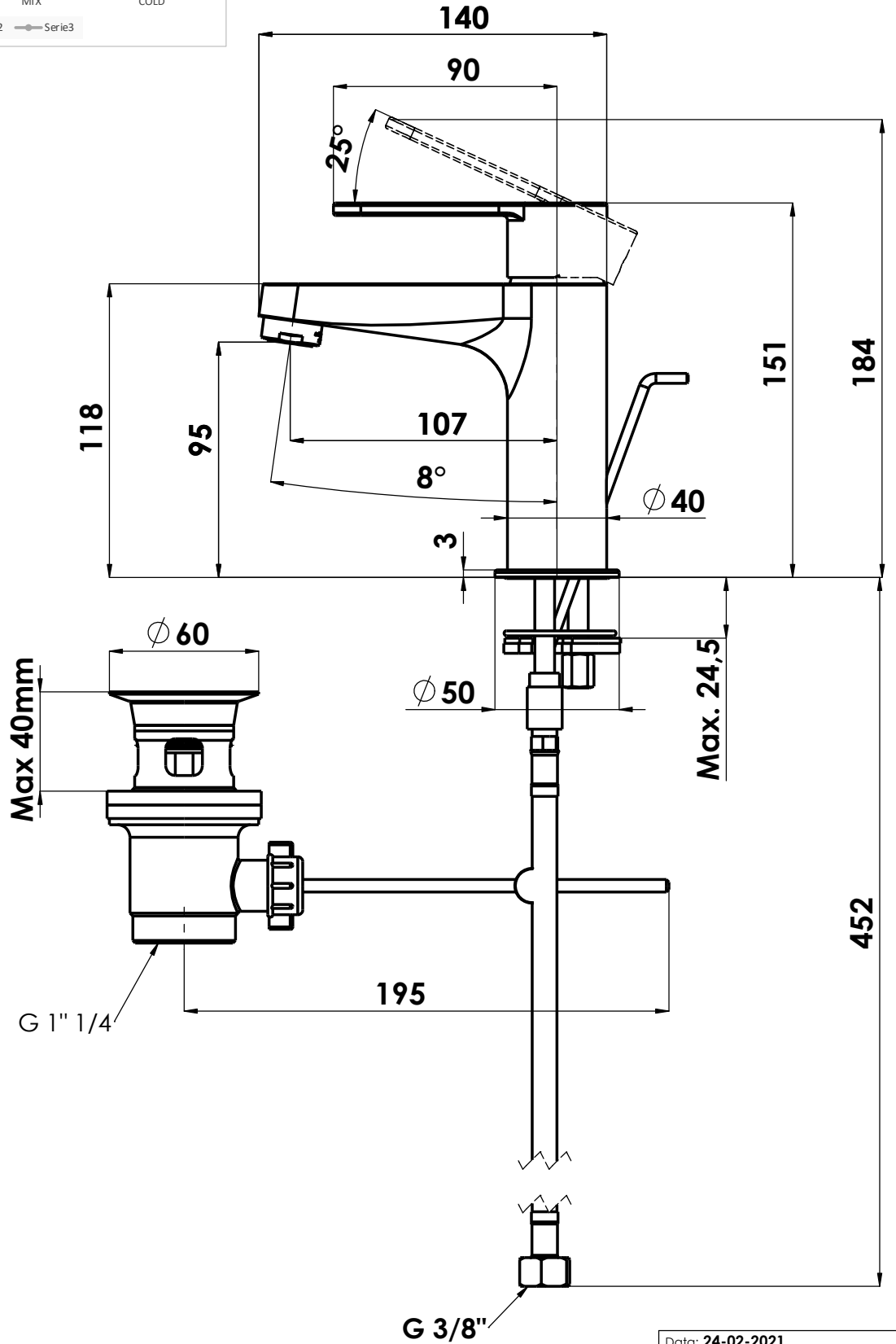
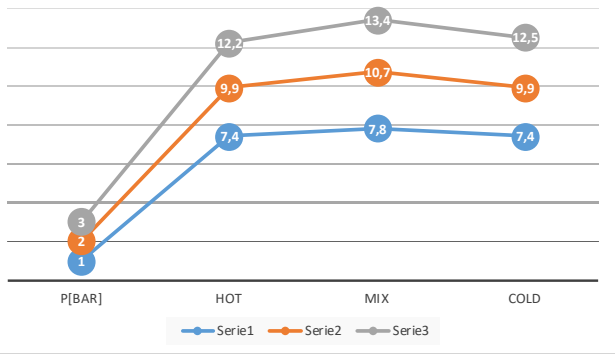


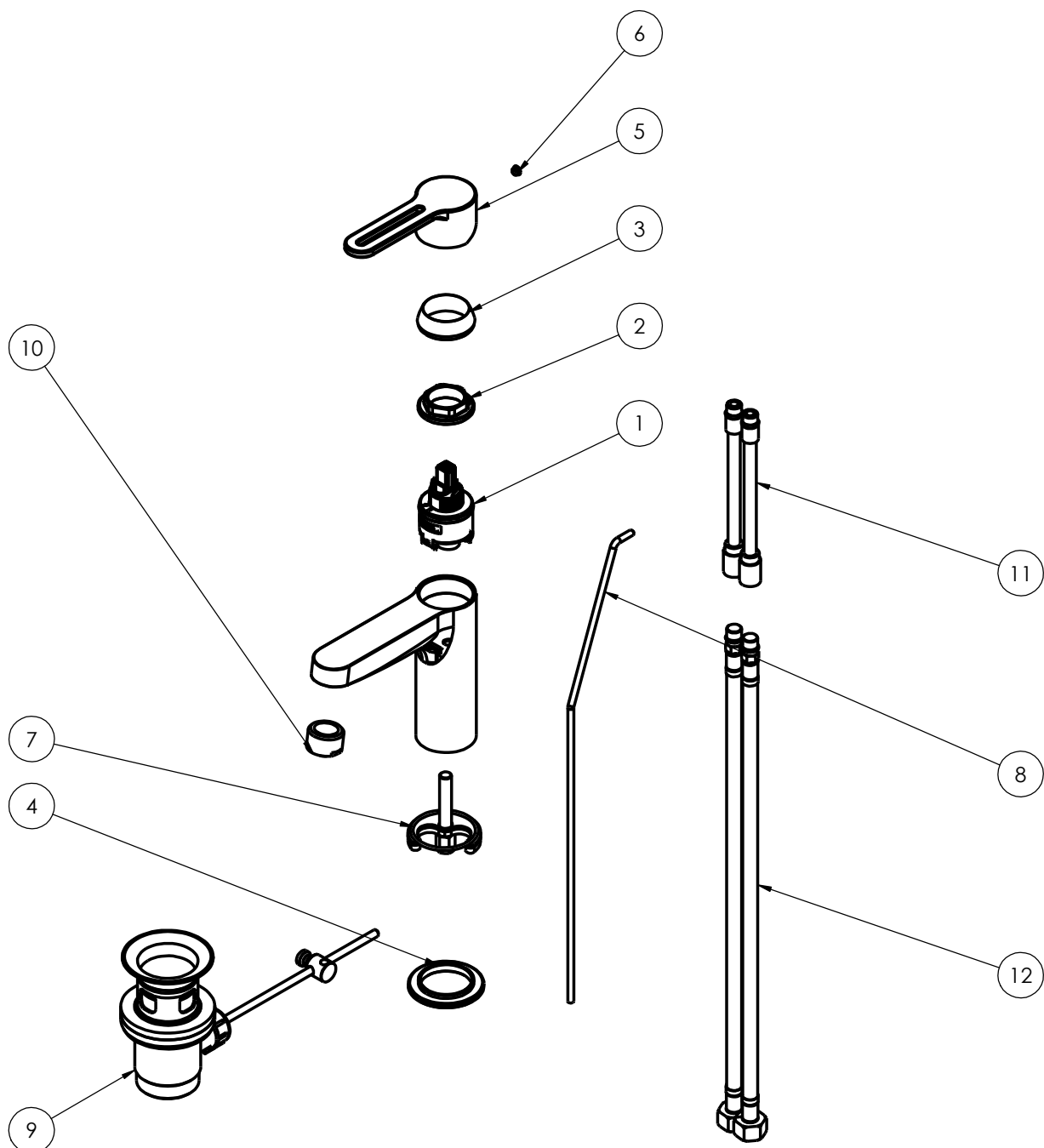
FLOW RATE [L/MIN]



Data: 24-02-2021

Cod. : **9306675**

Apice
A



Num. articolo	cod. REMER	cod. DANIEL
1	W50	A821
2	NGH	NGHT
3	CAW10	CAW10
4	BAW10Z	BAW10Z
5	MASR	SR630
6	TAMAD	TAMAD
7	FISW10	FISSR605
8	TA605AS	TA605AS
9	95X80	95X80
10	83A	A803CR
11	114PR393SN	18605PRTUB
12	10838F40DVGW	A9704010DVGW

Data: 24-02-2021

Cod. : **9306675**

Apice
A