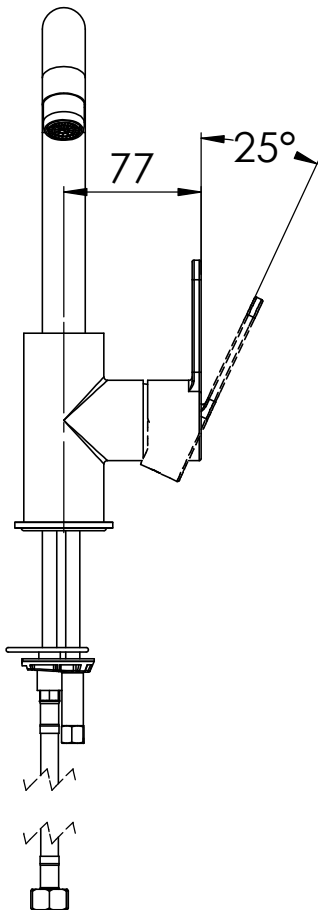
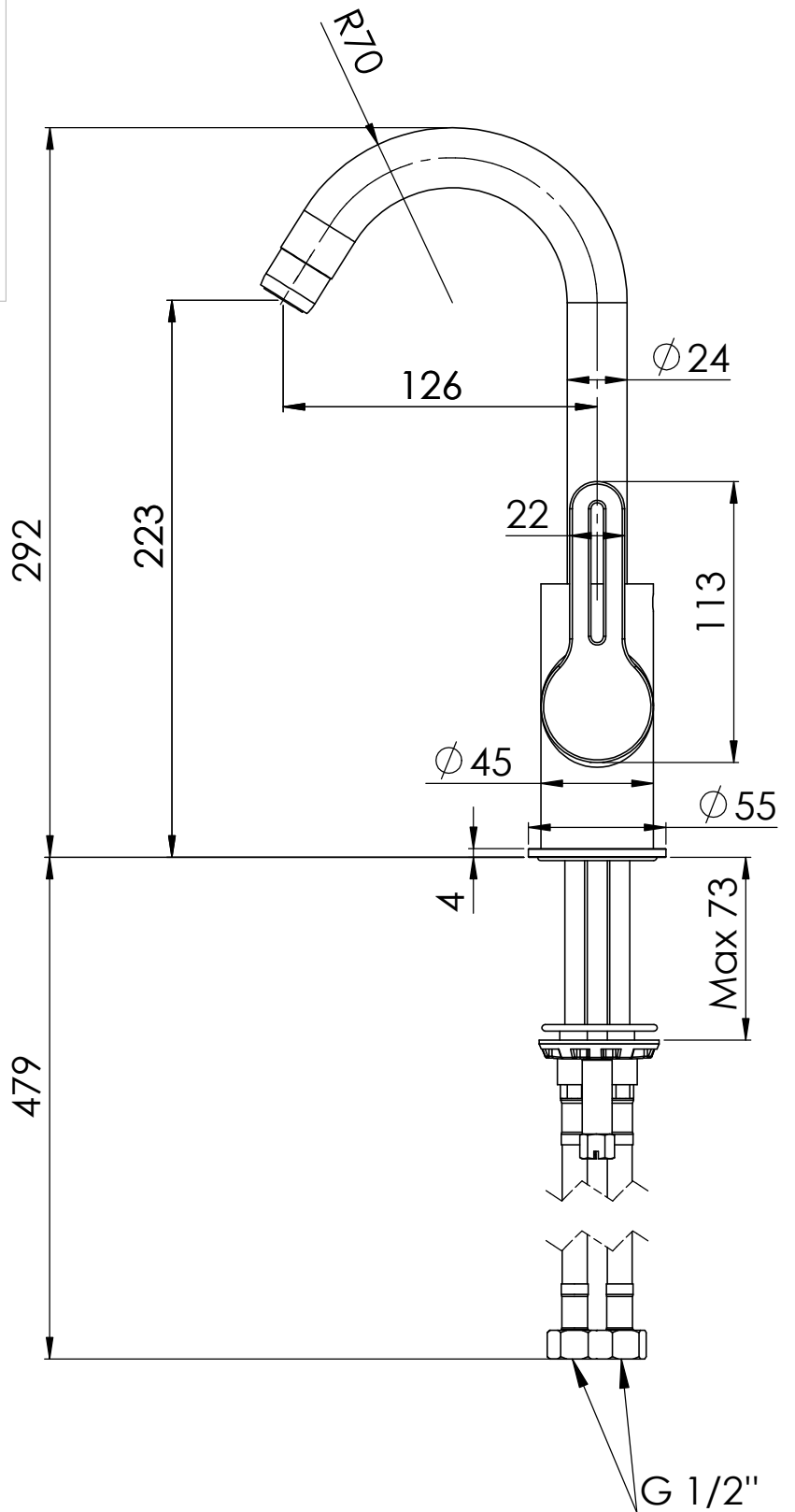
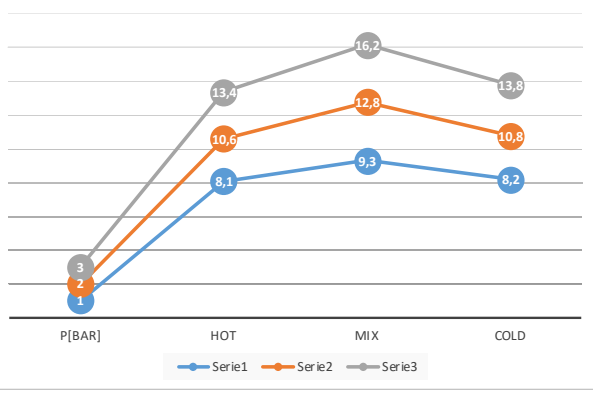


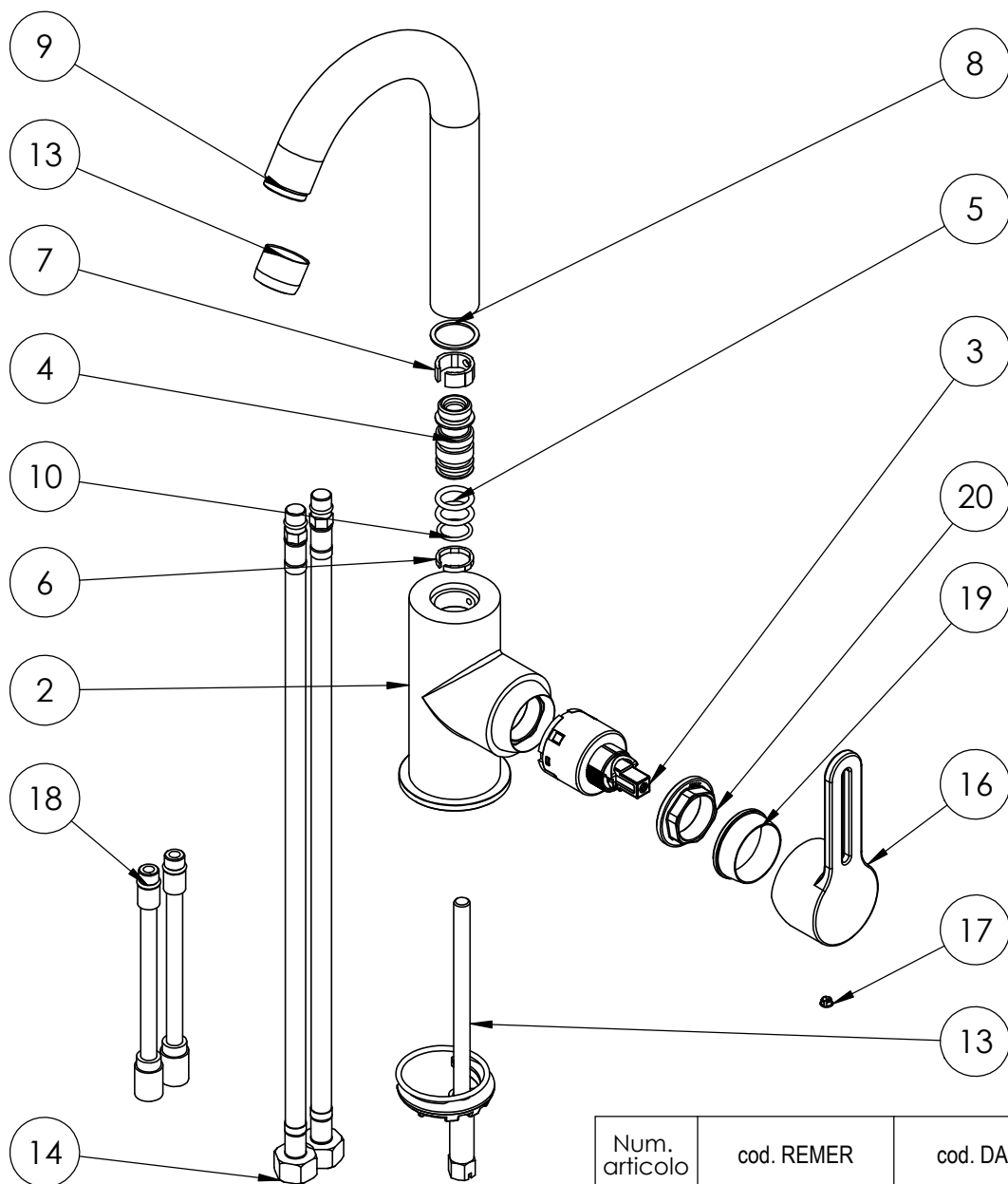
FLOW RATE [L/MIN]



Data: 08/03/2021

Cod. : 9306679

Apice  
A



Num. articolo	cod. REMER	cod. DANIEL	Q.tà
1	W72CAB	W72CAB	1
2	506HRCO		1
3	R52	A825	1
4	RAC506HR		1
5	66112	OR66112	2
6	GUAS42UB	GU23617B	1
7	GUAS42UA	GU23617A	1
8	ANTIF506HR		1
9	CNW72C		1
10	OR1400178	ORSEVAS	1
11	NGH	NGHT	1
12	CAW10	CAW10	1
13	81A	A801CR	1
14	10838F40DVGW	A9704010DVGW	2
15	FISSE18	FISSE605	1
16	MASR45	SR63045	1
17	TAMAD	TAMAD	1
18	114PR393SN	18605PRTUB	2
19	NCA	NCACR	1
20	NGH	NGHT	1

Data: 08/03/2021

Cod. : 9306679

Apice  
A