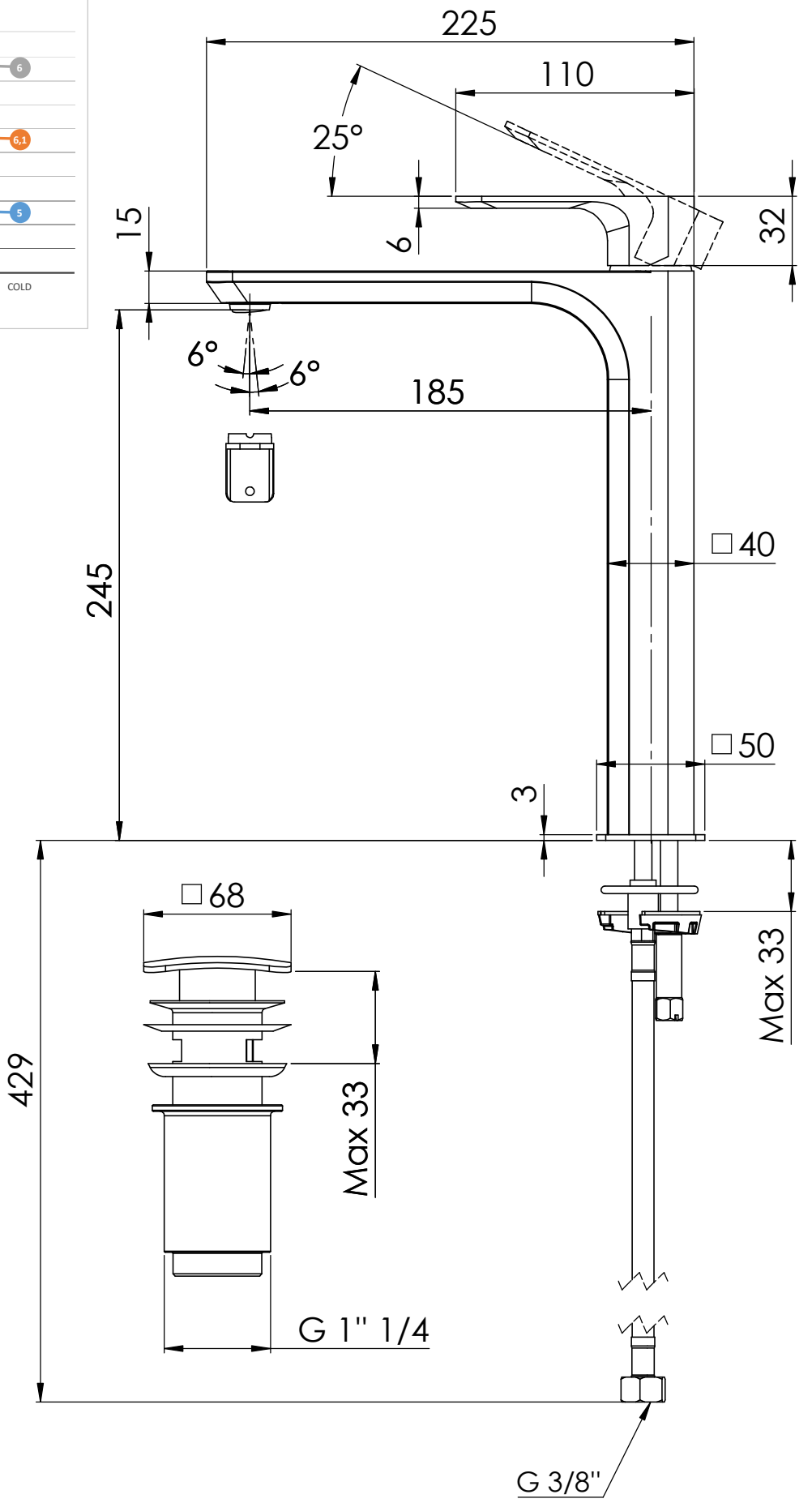
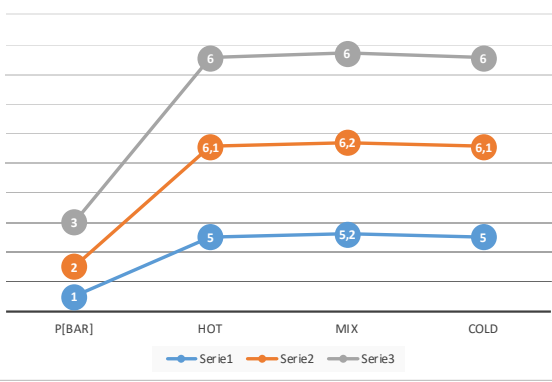


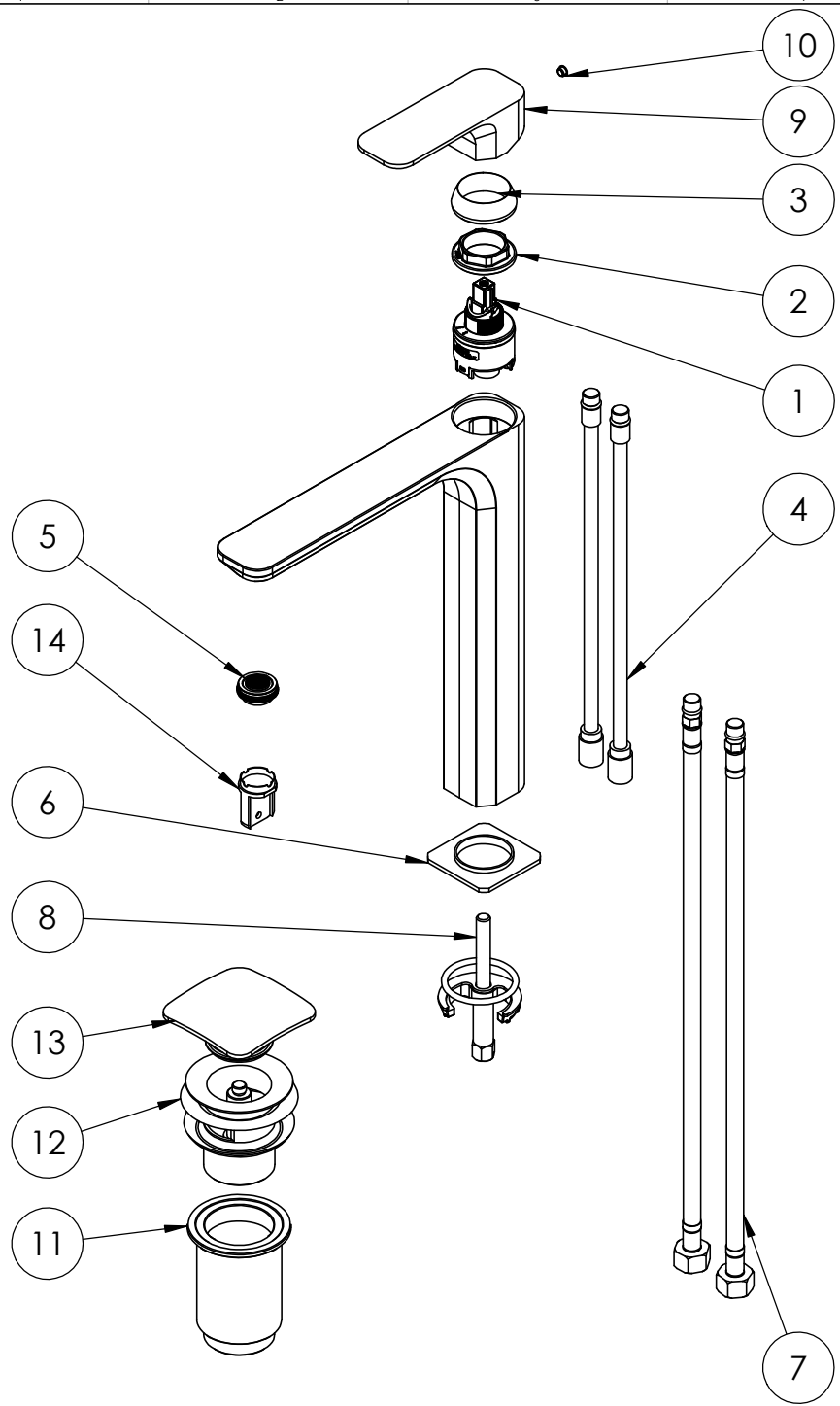
FLOW RATE [L/MIN]



Data: 10/03/2021

Cod.: 9306448

Apice
A



Num. articolo	cod. REMER	cod. DANIEL
1	W50	A821
2	NGH	NGHT
3	CAW10	CAW10
4	114PRS10L	18607XTUB
5	83FLBA	A803FLBA
6	D10BA	D10BACR
7	10838F40DVGW	A9704010DVGW
8	FISA10	FISDV605
9	MATA	TA630
10	TAMAD	TAMAD
11	905CO	A735COCR
12	905PI	A735PI
13	905STA	A737TA
14	83Z40C	A803KEYFLAT

Data: 10/03/2021

Cod. : 9306448

Apice

A