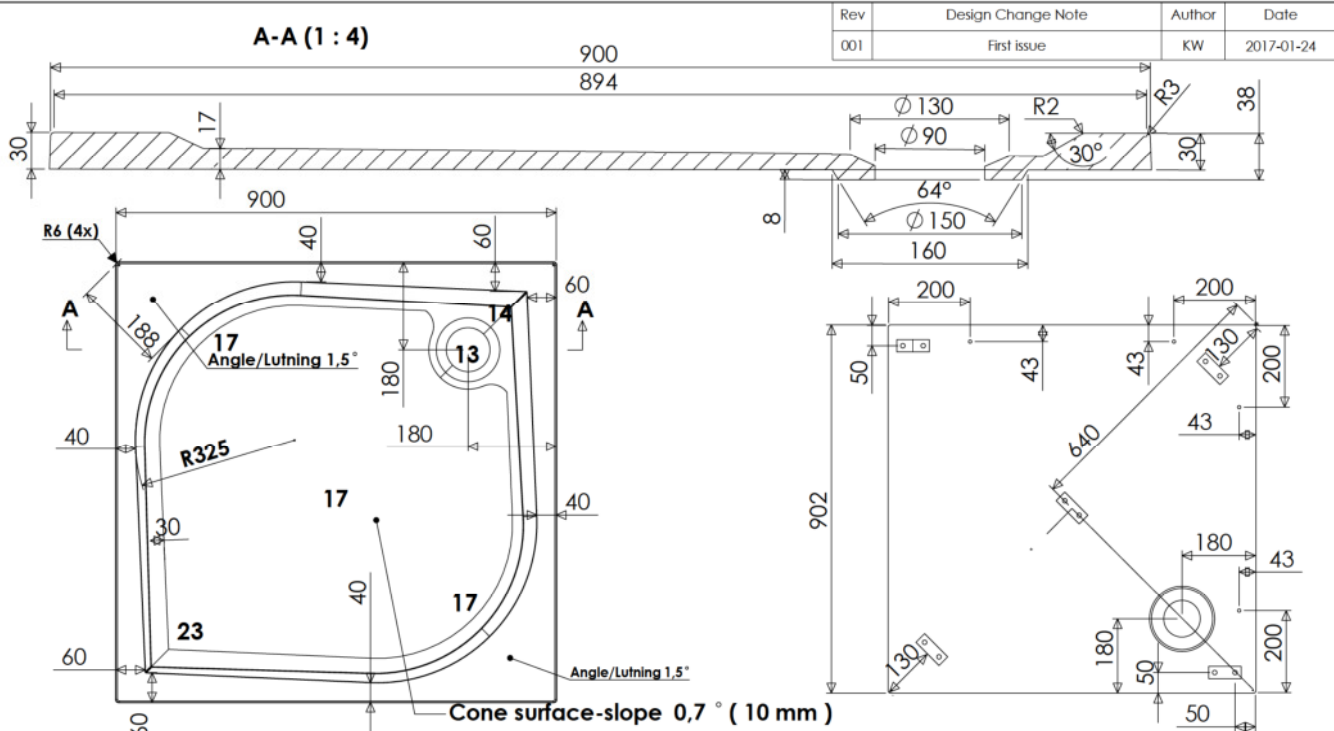


PROPRIETARY AND CONFIDENTIAL
 THE INFORMATION CONTAINED IN THIS DRAWING IS THE SOLE PROPERTY OF MUSCLE MACHINE AB.
 ANY REPRODUCTION IN PART OR AS A WHOLE WITHOUT THE WRITTEN PERMISSION OF MUSCLE MACHINE AB IS PROHIBITED.



Rev	Design Change Note	Author	Date
001	First issue	KW	2017-01-24

		DR	DR	Scale: 1:10	2011-03-09	WS WEINMANN	900 x 900
Tolerance length						+3/-0 mm	
Tolerance length granite						+1,5/-1,5 mm	
Tolerance plane bending						+3/-3 mm	
SHOWER TRAY							
KLARA-900 x 900 Rekt							1:15