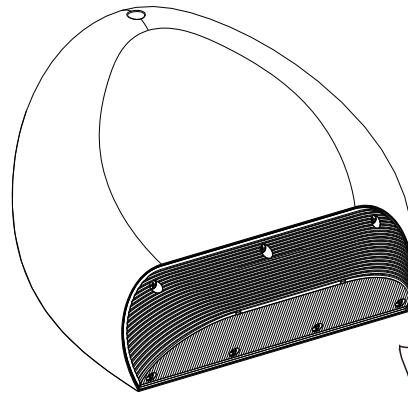





LED Norris Wall Pack Light

Installation Instructions

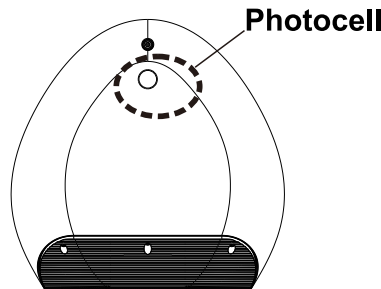
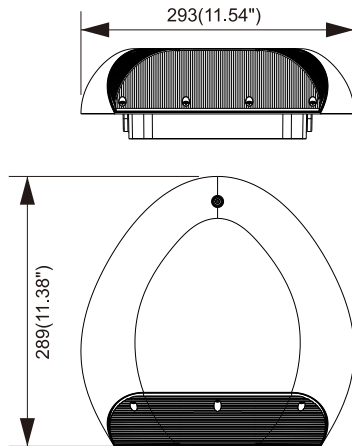


220-240VAC
50/60Hz




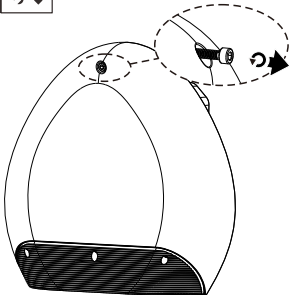
Packing List		
	Cable Gland M20	1 PC
	Screw M5x45	4 PCS
	Ribbed Plastic Anchor 8x40	4 PCS



Physical Dimensions(mm/inch)




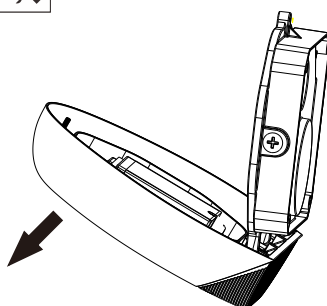
15W/25W/35W/45W/55W


1. 

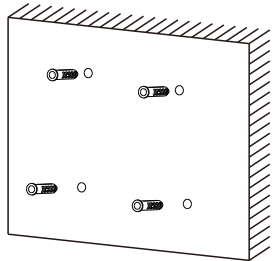



 2 Nm
 M5x40


2. 

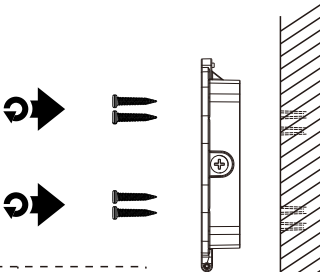




3. 




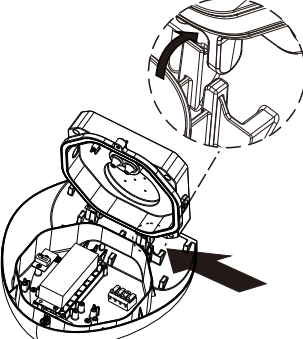
 Ribbed Plastic Anchor 8x40


4. 

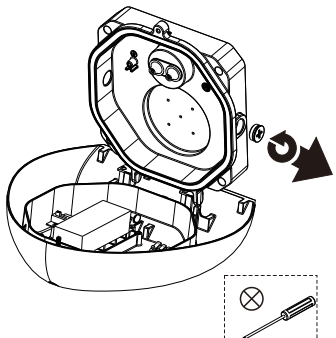



 Screw M5x45
 1.2 Nm

5. 



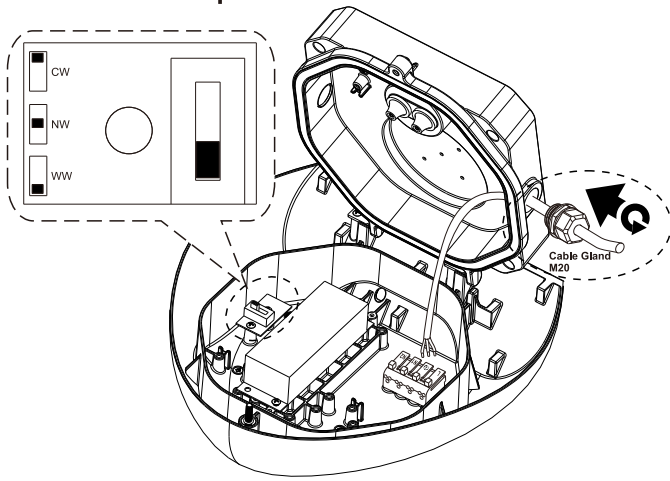
6. 



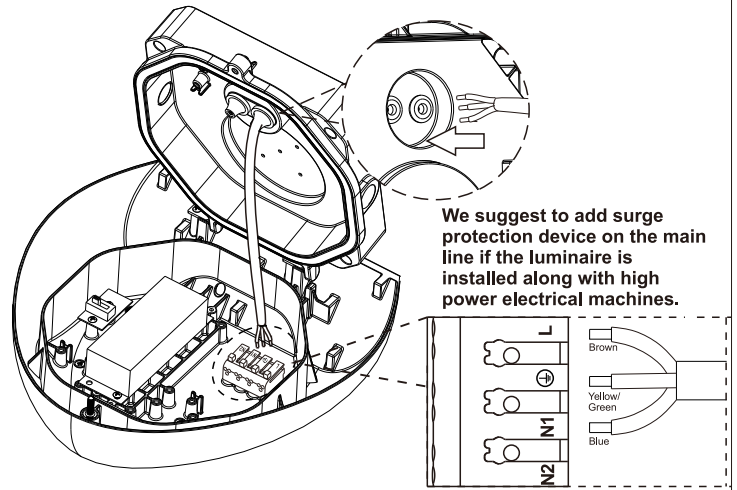


7. 

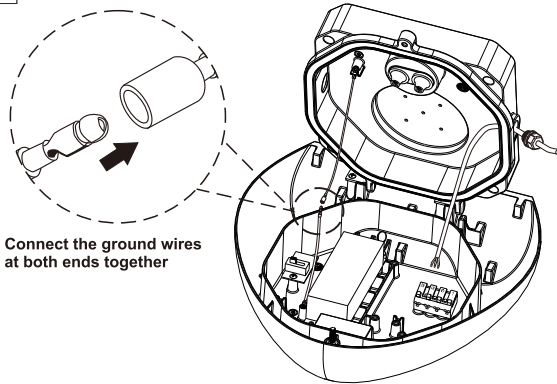
A. Cable Side Input



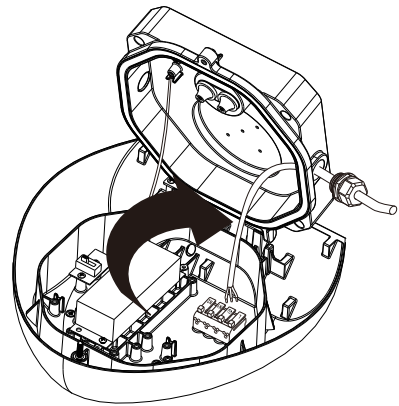
B. Cable Back Input



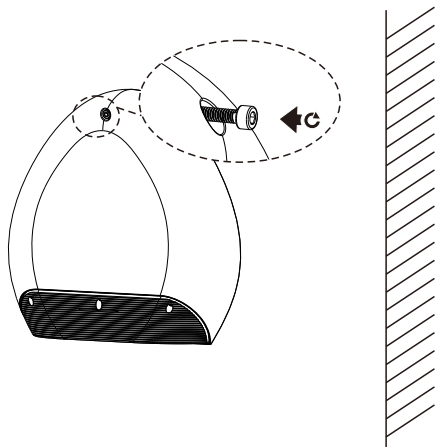
8. 



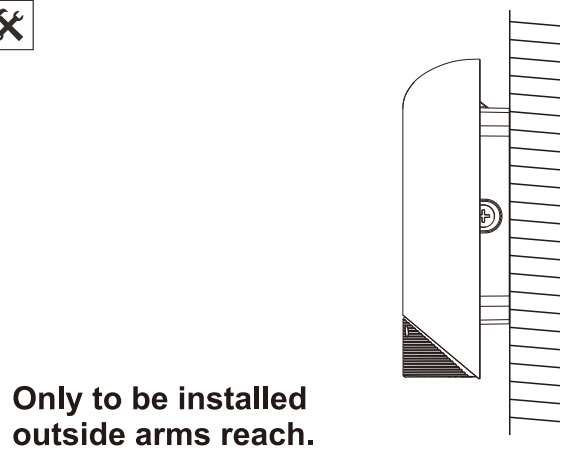
9. 



8. 



9. 



Product Specifications	15W	25W	35W	45W	55W
Input Voltage	220-240 VAC				
Power Frequency	50 / 60 Hz				
Outlook Dimensions	293mmx289mmx97mm(15.54"x11.38"x3.82")				
Luminaire Net Weight	2.7±0.3KG(5.95±0.66Lbs)				
Working Temperature	-30°C to + 50°C(-22°F to +122°F)				
Storing Temperature	-40°C to +70°C(-40°F to +158°F)				

• The light source contained in this luminaire shall only be replaced by the manufacturer or his service agent or a similar qualified person.
 • For type Y attachments:
 if the external flexible cable or cord of this luminaire is damaged, it shall be exclusively replaced by the manufacturer or his service agent or a similar qualified person in order to avoid a hazard.