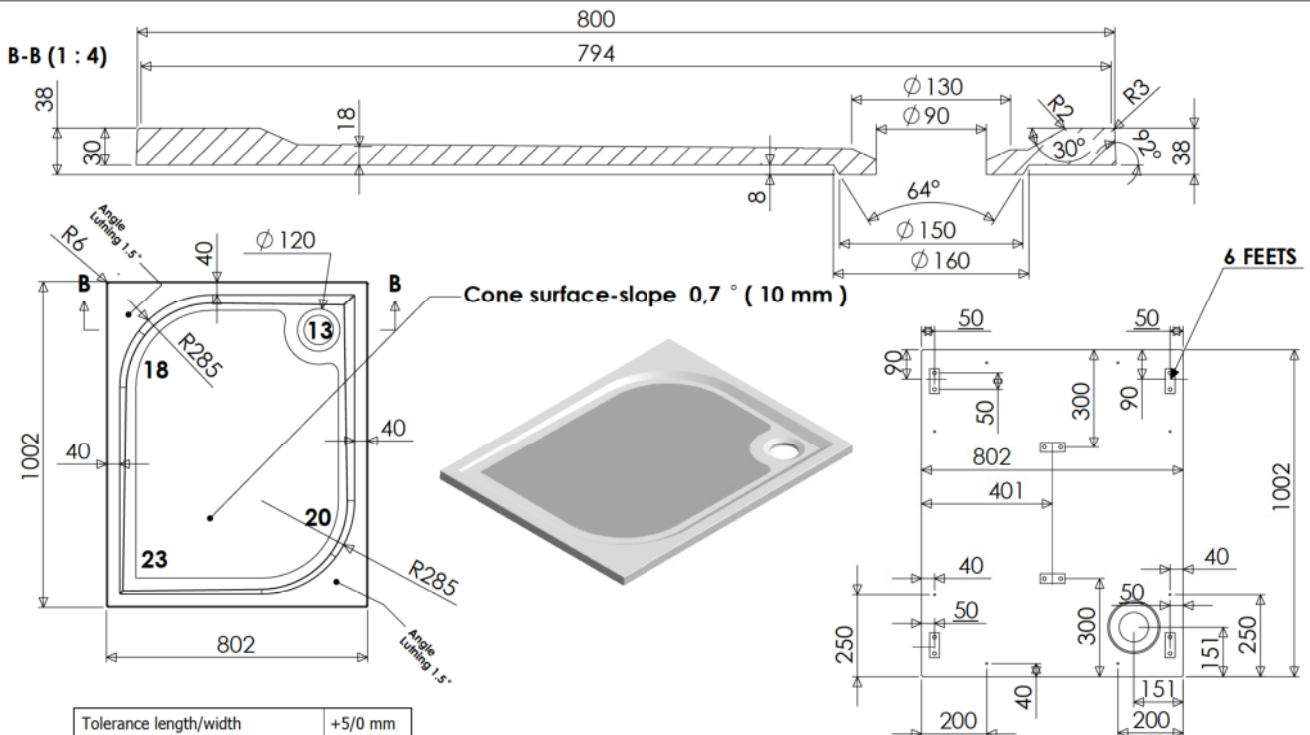


PROPRIETARY AND CONFIDENTIAL  
 THE INFORMATION CONTAINED IN THIS DRAWING IS THE SOLE PROPERTY OF MUSCLE MACHINE AB.  
 ANY REPRODUCTION IN PART OR AS A WHOLE WITHOUT THE WRITTEN PERMISSION OF MUSCLE MACHINE AB IS PROHIBITED.



Tolerance length/width	+5/0 mm
Tolerance height	+2/-2 mm
Tolerance plane bending	+2/-2 mm
	+3/-3 mm
Tolerance thickness	+2/-2 mm
Tolerance grinding	+2/0 mm
Tolerance feet location	+7/-7 mm
Tolerance holes location	+2/-2 mm
Tolerance holes diameter	+1/-1 mm

DR	DR	Scale	1:15	2011-03-09	WS WEINMANN (3603)	1000 x 800
6011611030xx EBBY 1000x800						1:14