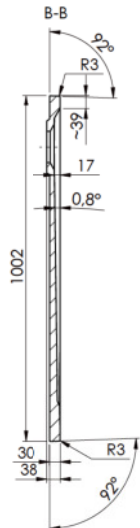
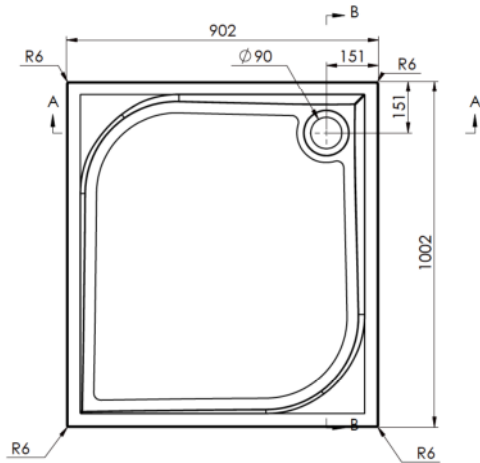
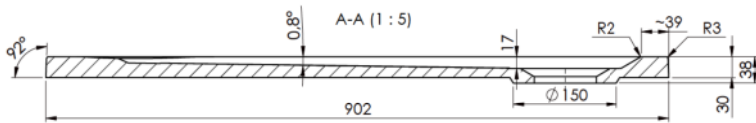
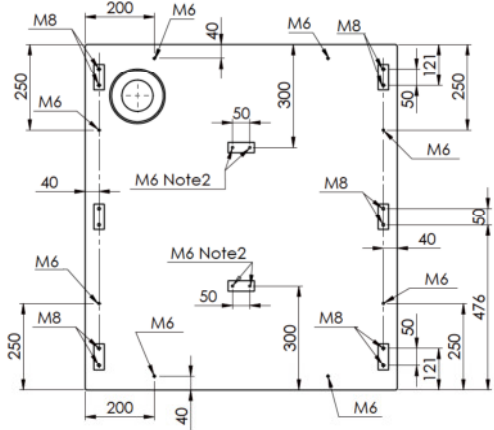


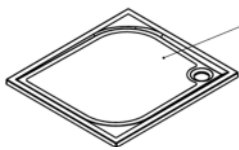
Rev	Design Change Note	Author	Date
001	First Issue	RB	2020-05-28



Bottom view - feet and front position/
Widok z dołu - rozstaw stópki i mocowanie frontu



Structure surface/ Powierzchnia strukturalna



Notes/Uwagi:

- M8, M6 steel bearings/ M8, M6 kołki stalowe
- M6 plastic bearings/ M6 kołki plastikowe

Tolerance length/width	+5/0 mm	Drawn by	Katarzyna W	Created Date	2016-05-05	Checked by	Rafal B	Art. Name:	EBBY 1000x900	Mold No:	F4065103
Tolerance height	+2/-2 mm	Project Status	Approved	Client	WS WEINMANN	Art. No:	6235561030xx	Customer ID:	3603		
Tolerance plane bending	$\leq 1200 \text{ mm}$ +2/-2 mm $\geq 1200 \text{ mm}$ +3/-3 mm					Material volume (mm ³)	19921970.2	Orderflow	NO	Layers	0
Tolerance thickness	+2/-2 mm					Main dimensions L x W x H (mm)	1002 x 902 / 38	Scale	1:10	Draw	Regular
Tolerance feet location	+/-7 mm					Material assignment	1916571.B	Print size	A3	Current revision	001
Tolerance holes location	+2/-2 mm										
Tolerance holes diameter	+1/-1 mm										

This document must not be copied without our written permission, and the contents thereof must not be disclosed to third parties without our prior written consent.