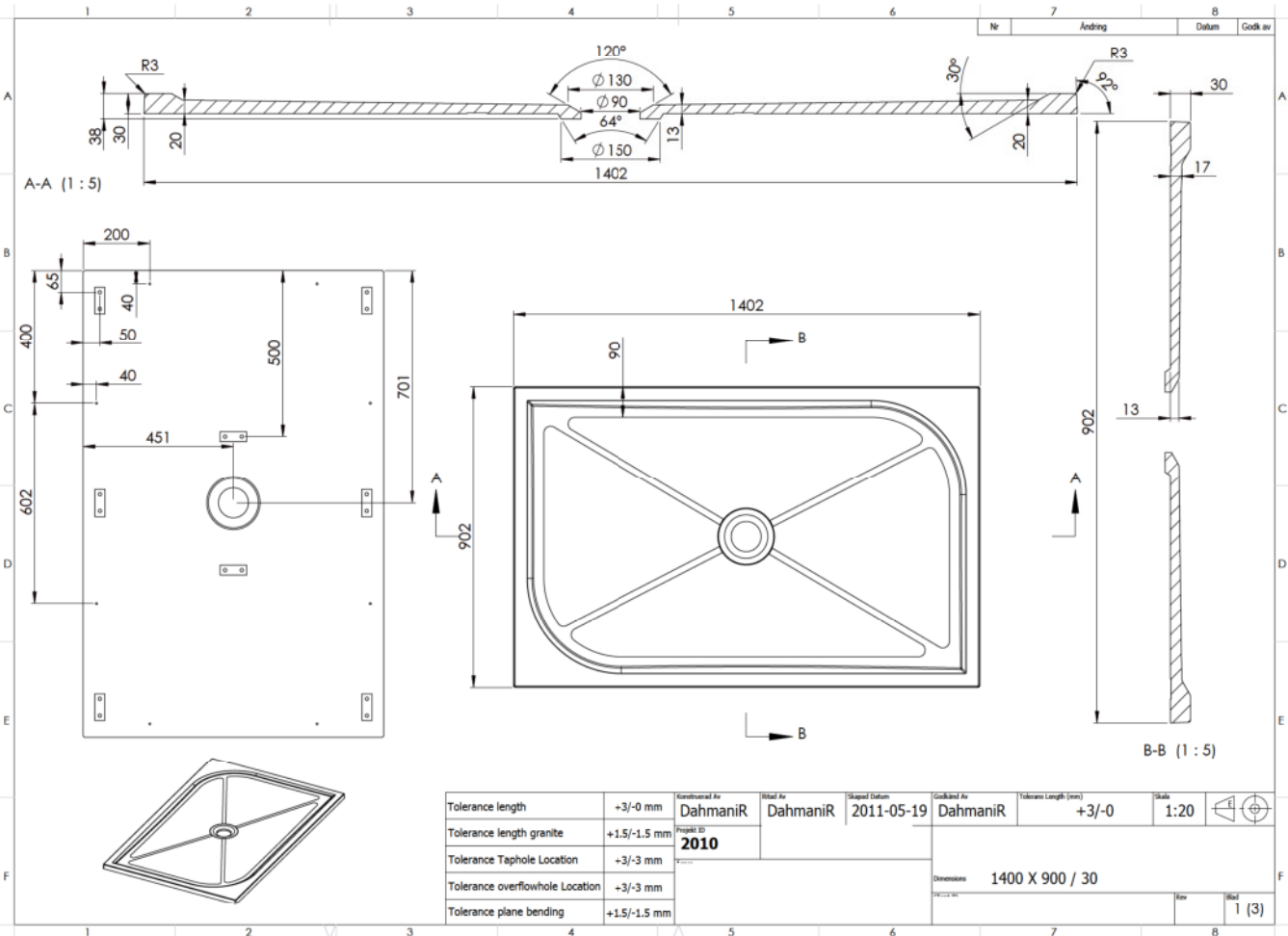


The document must not be copied without written permission. Any reproduction or distribution of this document without the written permission of the author is prohibited.



Tolerance length	+3/-0 mm	Contracted As	DahmaniR	Client As	DahmaniR	Skissed Datum	2011-05-19	Contracted As	DahmaniR	Tolerance Length (mm)	+3/-0	Scale	1:20	
Tolerance length granite	+1.5/-1.5 mm	Project ID	2010											
Tolerance Taphole Location	+3/-3 mm													
Tolerance overflowhole Location	+3/-3 mm													
Tolerance plane bending	+1.5/-1.5 mm													
								Dimensions	1400 X 900 / 30					
												Rev	1 (3)	